

Sequential Circuits
Max Rev C
Schematic Drawings

BE A TRAK STAR!

Keep your music on the "right track" with the new Multi-Trak, TOM and MAX from Sequential!

HEAR SEQUENTIAL'S
NEWEST PRODUCT ON SIDE TWO
OF THIS MONTH'S SOUNDPAGE™ PAGES 18-19

THE AMAZING NEW MULTI-TRAK!

Take a look at Sequential's new Multi-Trak! Features include a 5 octave velocity-sensitive keyboard for controlling loudness, brightness or modulation. A powerful built-in digital recorder lets you record up to 1600 notes and provides 4 independent sequence locations, an audible metronome, 5 different resolutions of auto-correction, sequence appending and the ability to erase your recorded music by track or by single note. To facilitate your recording needs, each sequence track has its own audio output.

Unique to the Multi-Trak is its polyphonic "SuperStack" mode. "SuperStack" lets you layer two, three, or six sounds and play them

"live" from the keyboard! Also featured are a stereo chorus with programmable On/Off and adjustable rate and depth, a cassette interface for program and sequence storage, and a latching arpeggiator with transposition at the touch of a key.

MAX: THE ULTIMATE MIDI EXPANDER!

MAX is a 6-voice, polyphonic synthesizer designed to let you play six completely different instrument sounds at one time. And MAX's comprehensive MIDI implementation makes it the ultimate MIDI expander!

TOM: A UNIQUE NEW DRUM MACHINE


Like all Sequential drum machines, TOM features programmable tuning and volume. TOM adds to these features unique new capabilities like programmable stereo pan for each instrument and the ability to play sounds in reverse! Other features include a programmable "Human Factor" to add subtle variances to instrument tuning and volume levels during playback. And there's a new feature called "Improv", that subtly alters your rhythm patterns with the automatic introduction of occasional "fills". These exciting features let TOM more exactly mimic a "live" drummer! TOM comes with 8 digitally recorded percussion instrument sounds. A cartridge port is provided for easy sound expansion!



MAX
suggested retail \$599.00



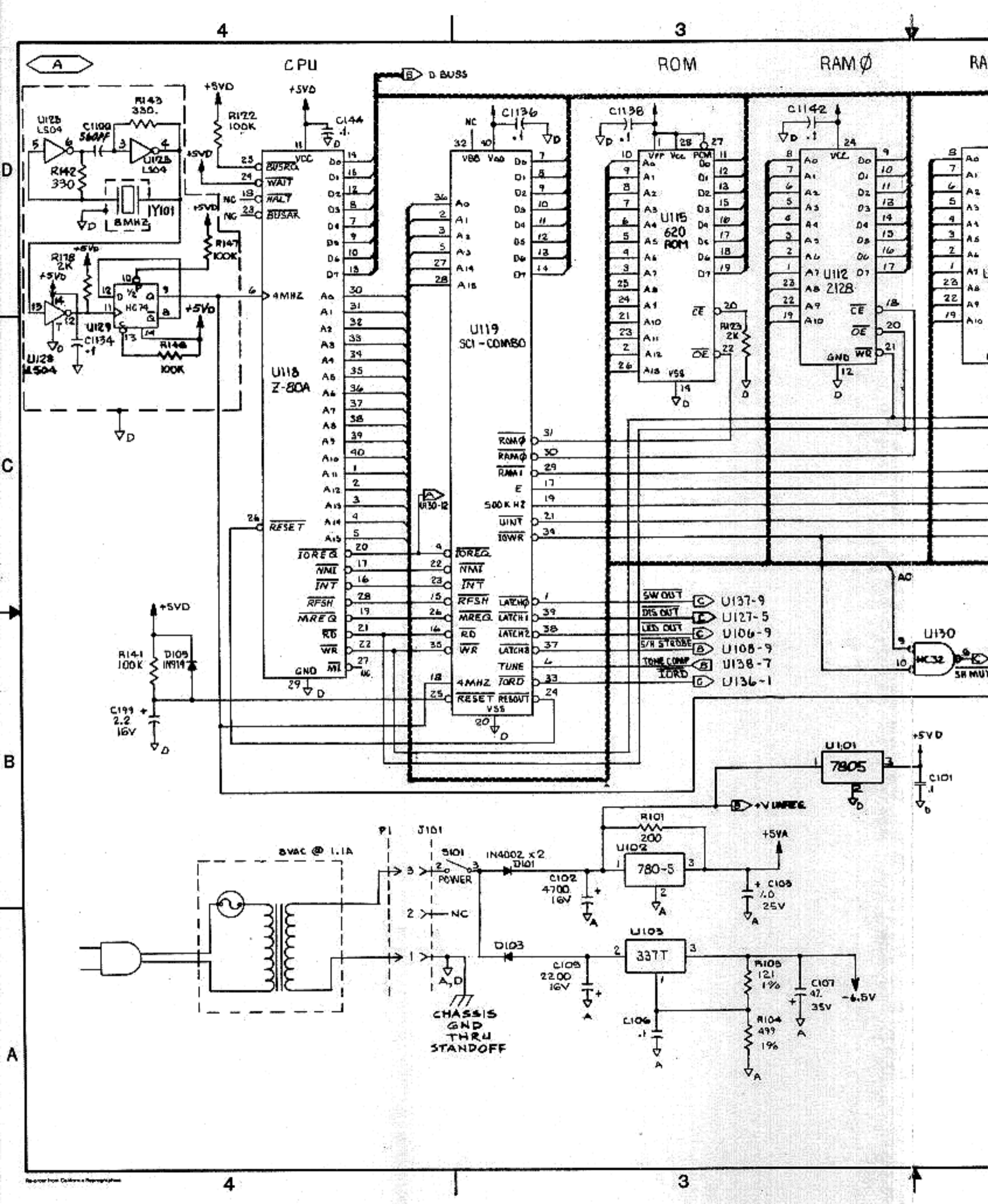
TOM
suggested retail \$799.00



Multi-Trak
suggested retail \$1499.00

SEQUENTIAL

For a complete catalog, please send \$2.00 to Sequential,
3051 North First Street, San Jose, CA 95134.



4

3

A

CPU

ROM

RAM

RA

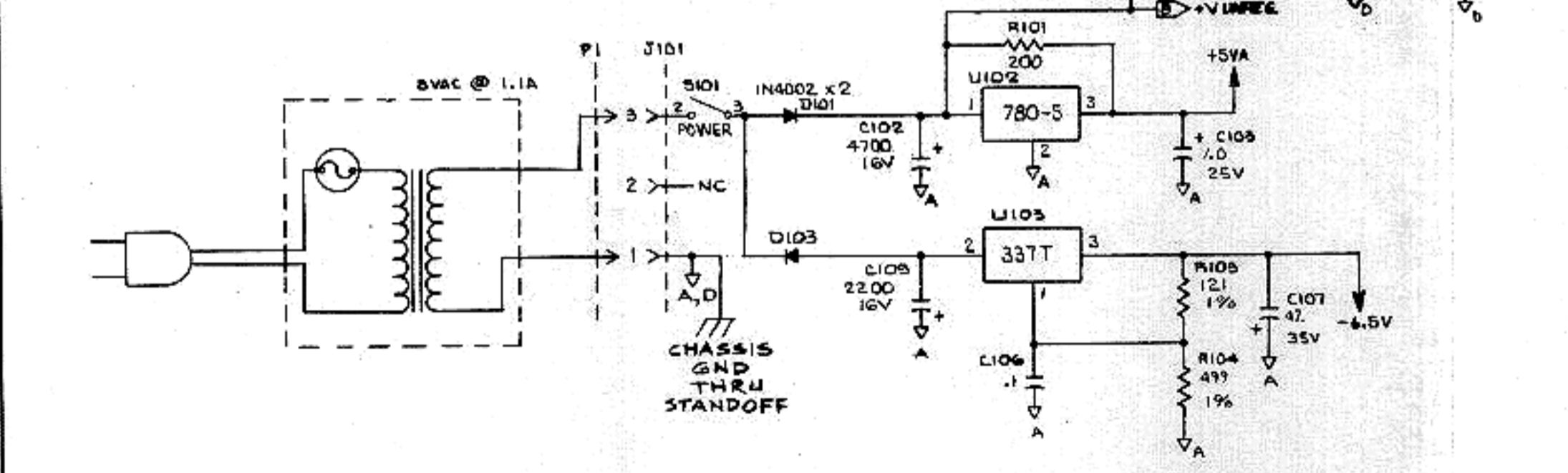
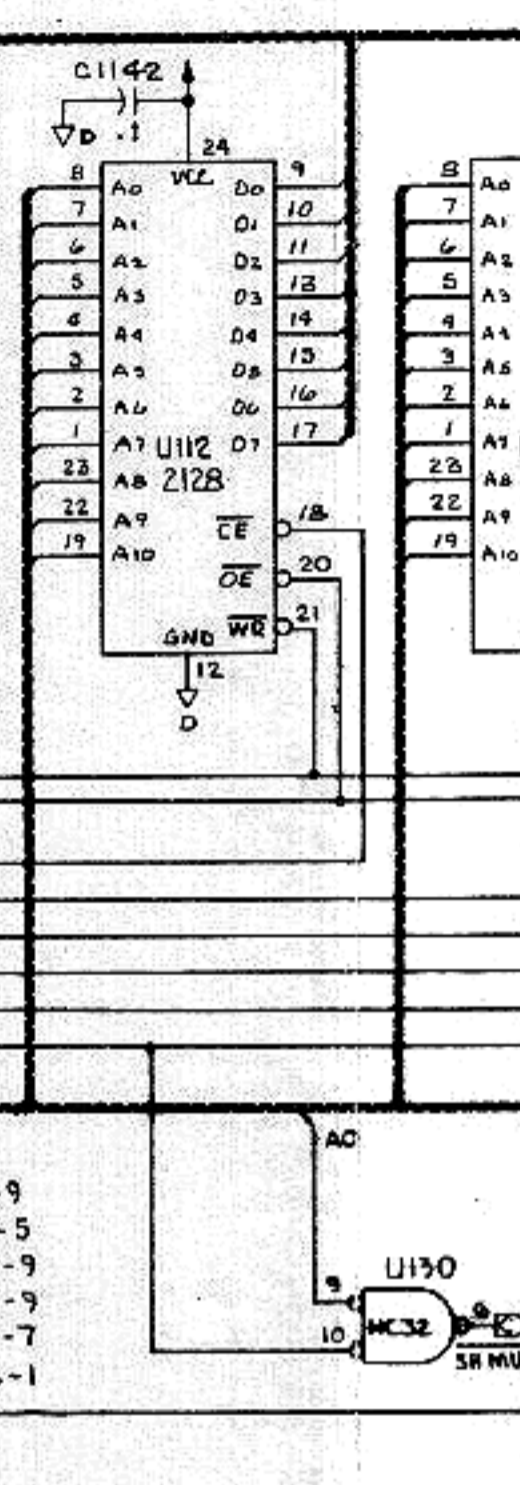
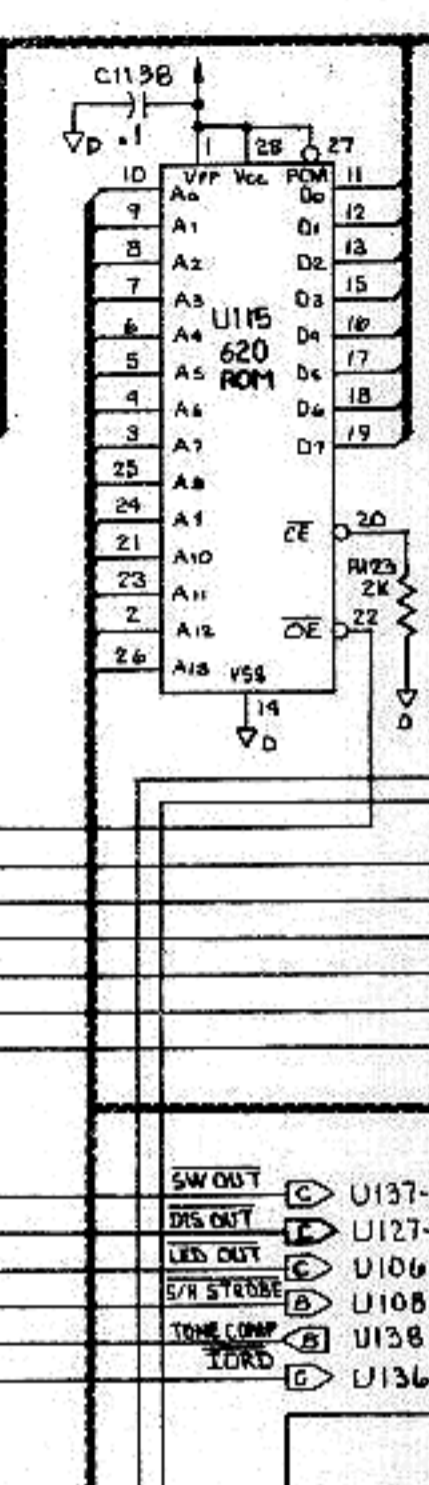
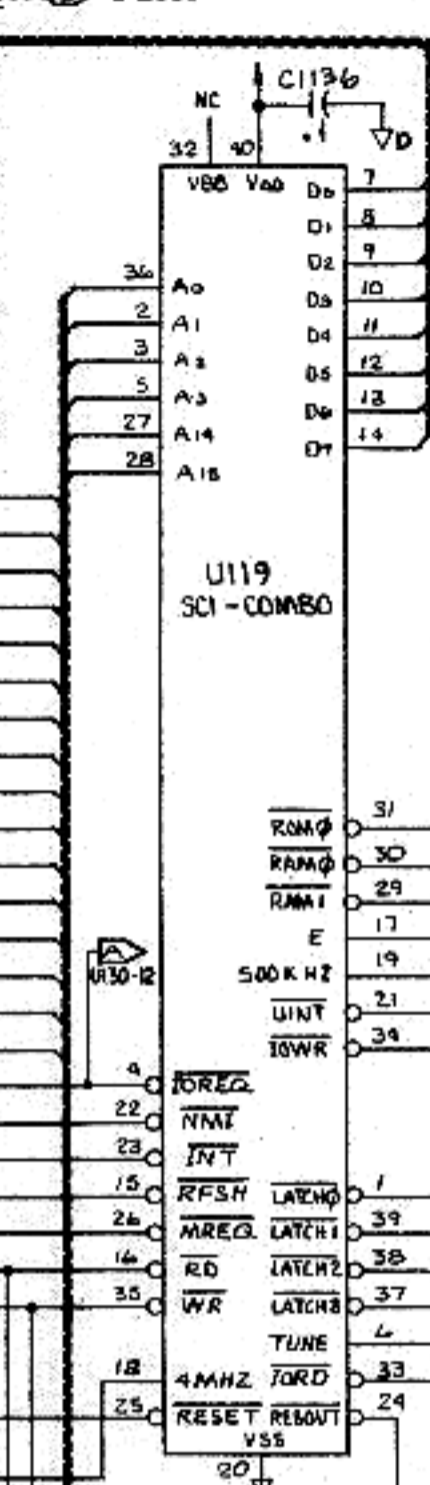
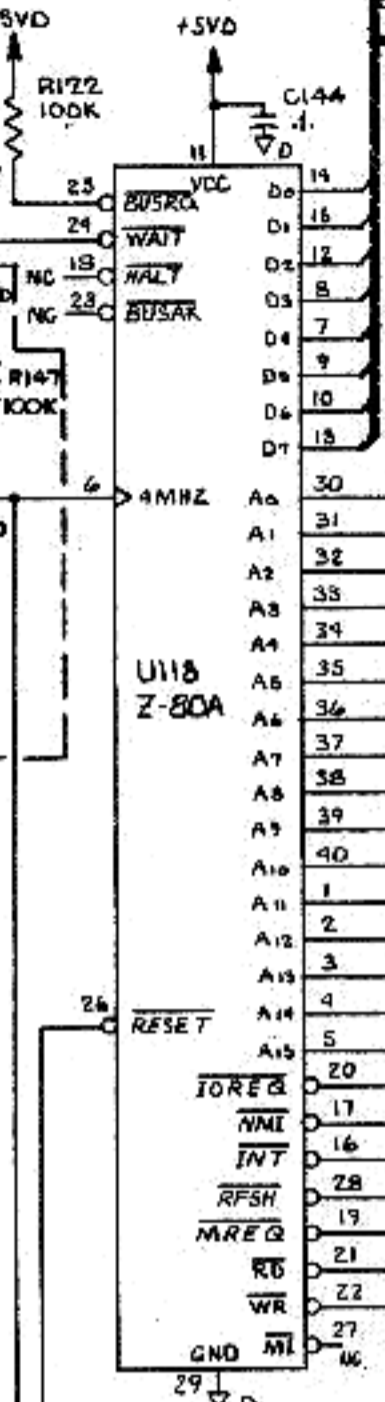
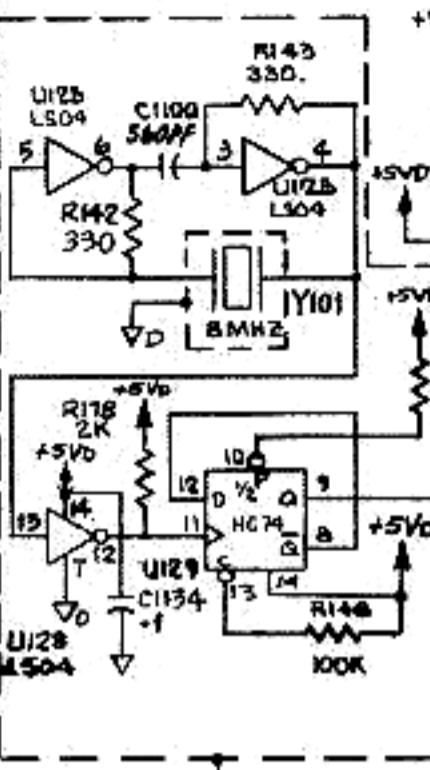
D

D BUSS

C

B

A

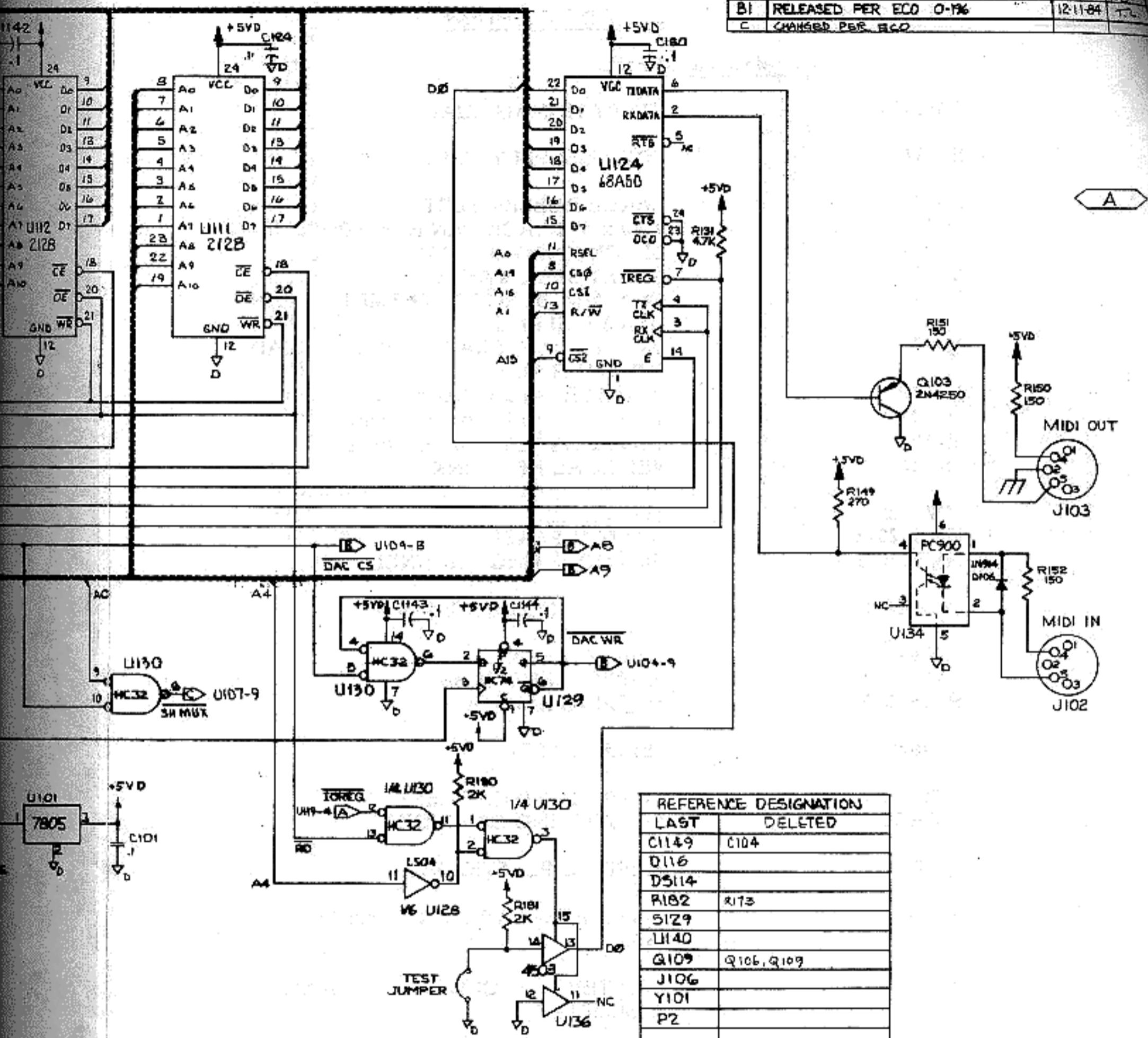


4

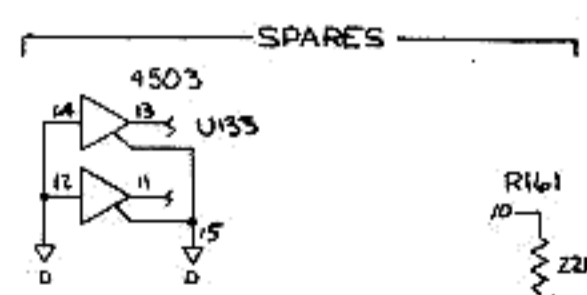
3

RAM 0 RAM 1

REVISIONS			
REV	DESCRIPTION	DATE	APPROVED
A	RELEASED PER ECO D-122	8-14-84	[Signature]
B	RELEASED PER ECO O-196	12-11-84	[Signature]
C	CHANGED PER ECO		



REFERENCE DESIGNATION	
LAST	DELETED
C1149	C104
D116	
D5114	
R182	R173
S129	
U140	
Q109	Q106, Q109
J106	
Y101	
P2	



620	USED ON
NEXT ASSY	APPLICATION

UNLESS OTHERWISE SPECIFIED:
 DIMENSIONS ARE IN INCHES
 TOLERANCES:
 FRACTIONS DECIMALS ANGLES
 ± .XX ± .XXX ± °
 MATERIAL
 FINISH
 DO NOT SCALE DRAWING

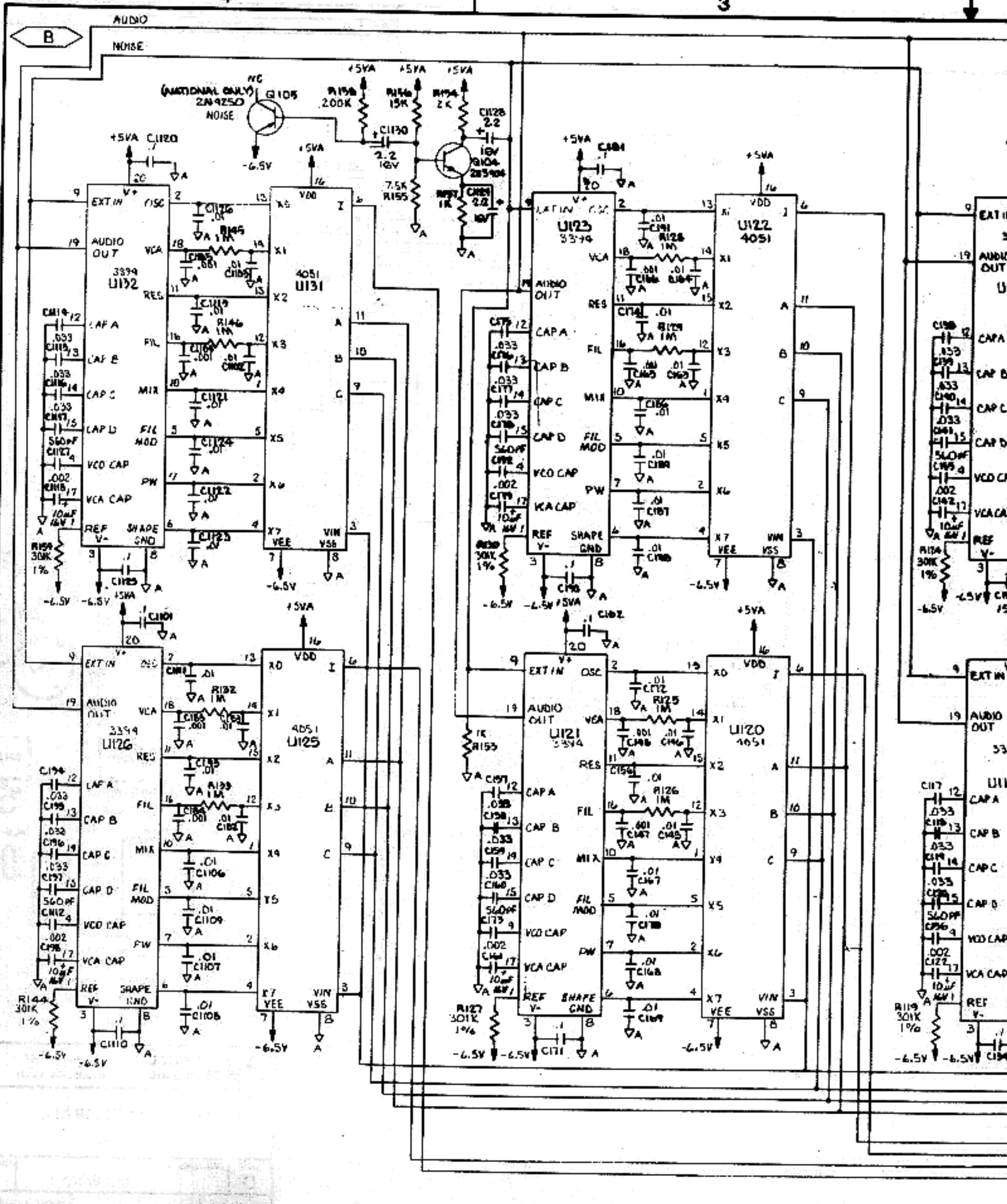
DO NOT SCALE DRAWING				3051 N. FIRST ST. SAN JOSE, CA. 95134	
APPROVALS		DATE		TITLE	
[Signature]		8/20/84		SCHEMATIC DIAGRAM	
CHECKED		[Signature]		SIZE	
[Signature]		8/4/84		DRAWING NO.	
[Signature]		[Signature]		SD-620-1	
[Signature]		[Signature]		REV	
[Signature]		[Signature]		C	
[Signature]		[Signature]		SCALE: NA	
[Signature]		[Signature]		SHEET 1 OF 3	

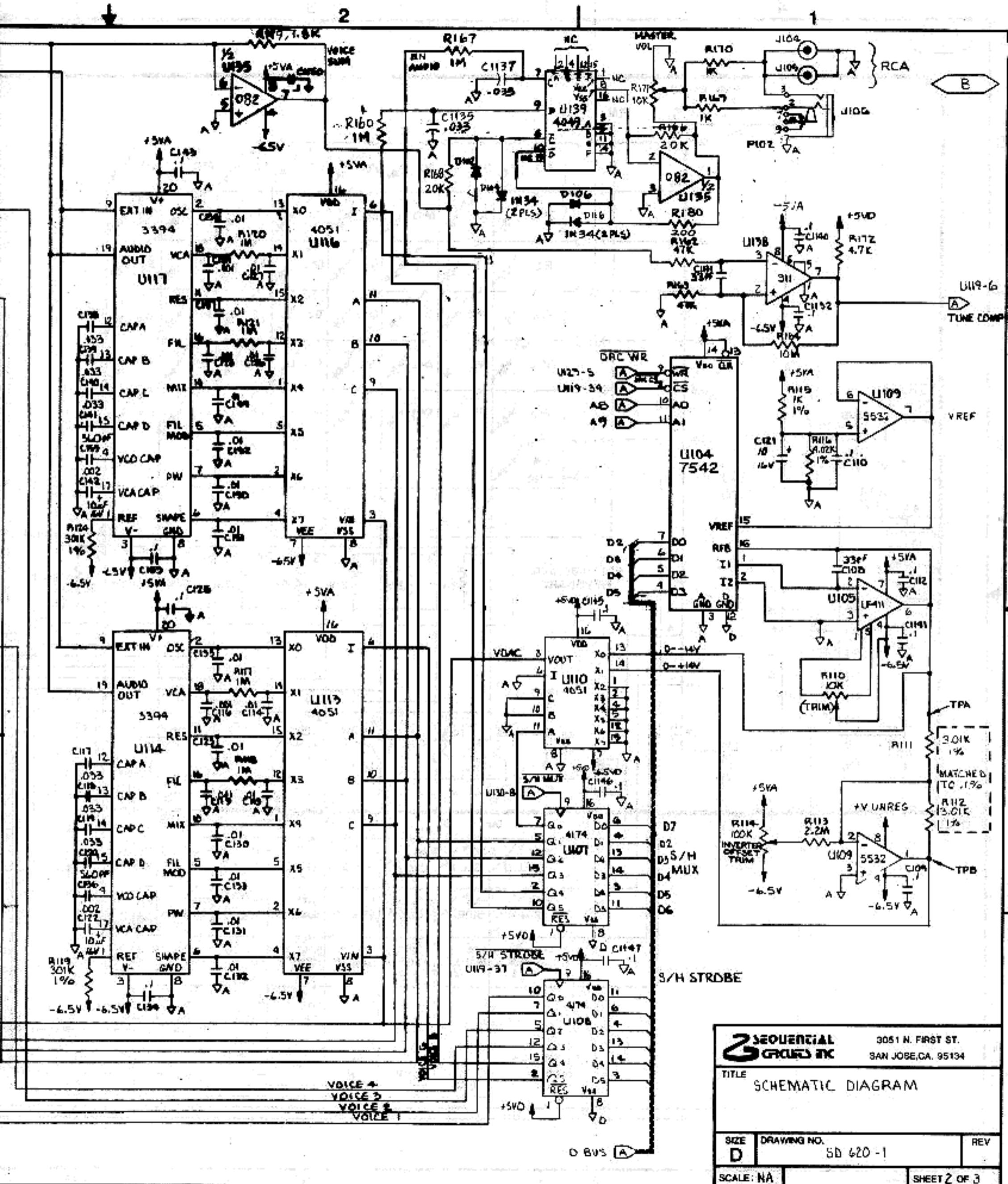
D

C

B

A





		3051 N. FIRST ST. SAN JOSE, CA. 95134	
TITLE SCHEMATIC DIAGRAM			
SIZE D	DRAWING NO. SD 620-1	REV	
SCALE: NA		SHEET 2 OF 3	

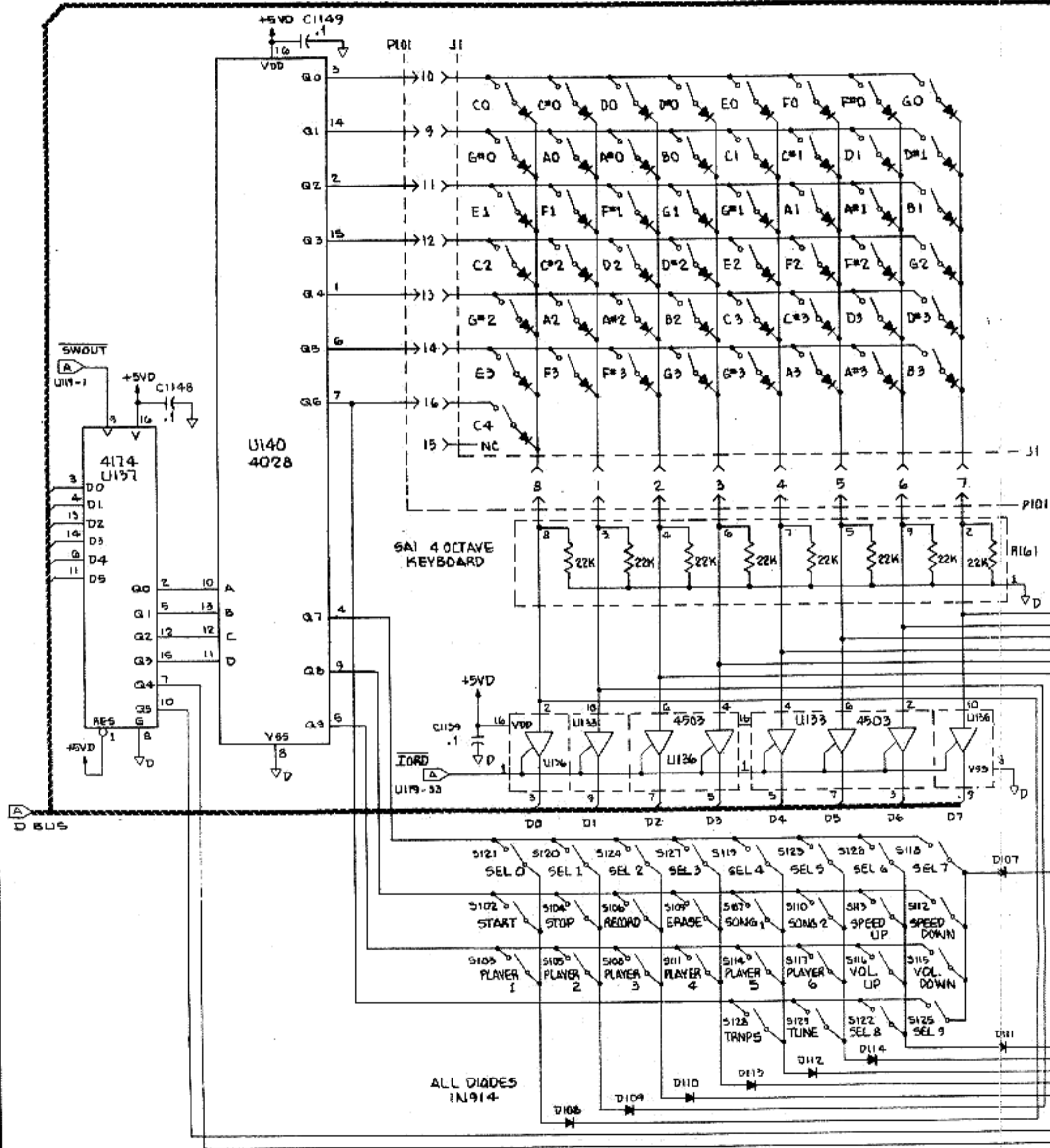
C

D

C

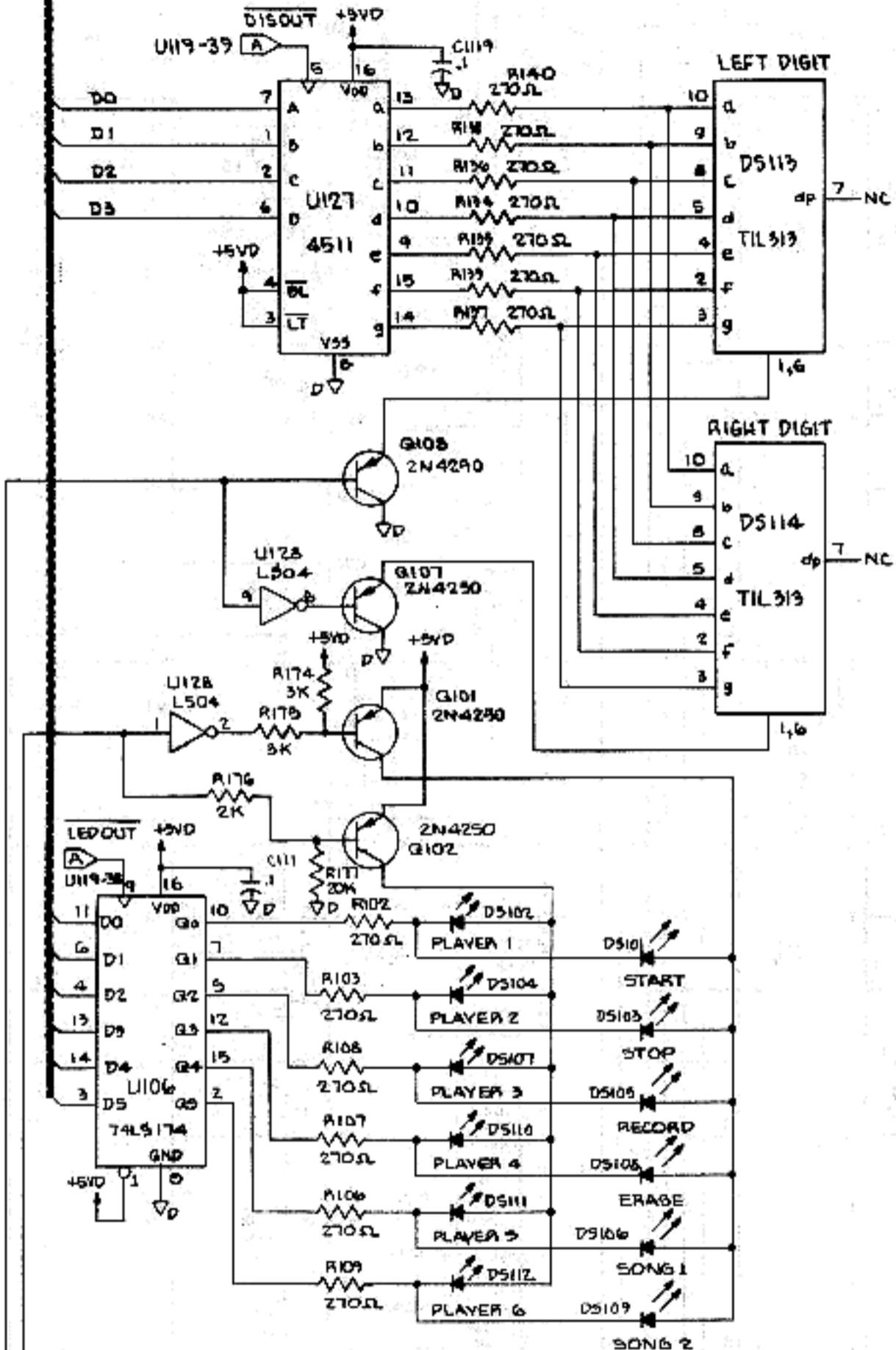
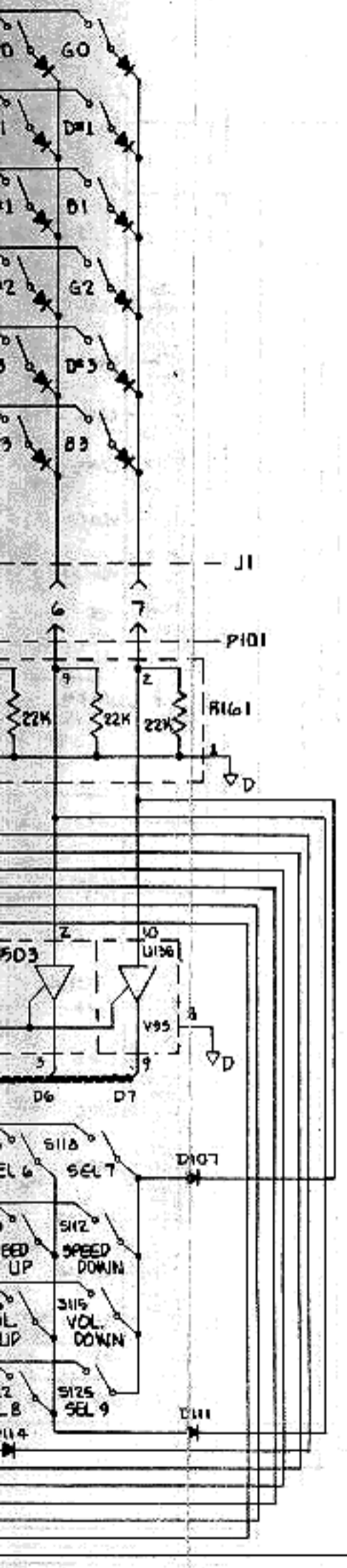
B

A



REVISIONS			
REV	DESCRIPTION	DATE	APPROVED

C



SEQUENTIAL CIRCUITS INC. 3051 N. FIRST ST. SAN JOSE, CA. 95134

TITLE: SCHEMATIC DIAGRAM

SIZE: D	DRAWING NO.: SD 620-1	REV: C
SCALE: NA	SHEET 3 OF 3	