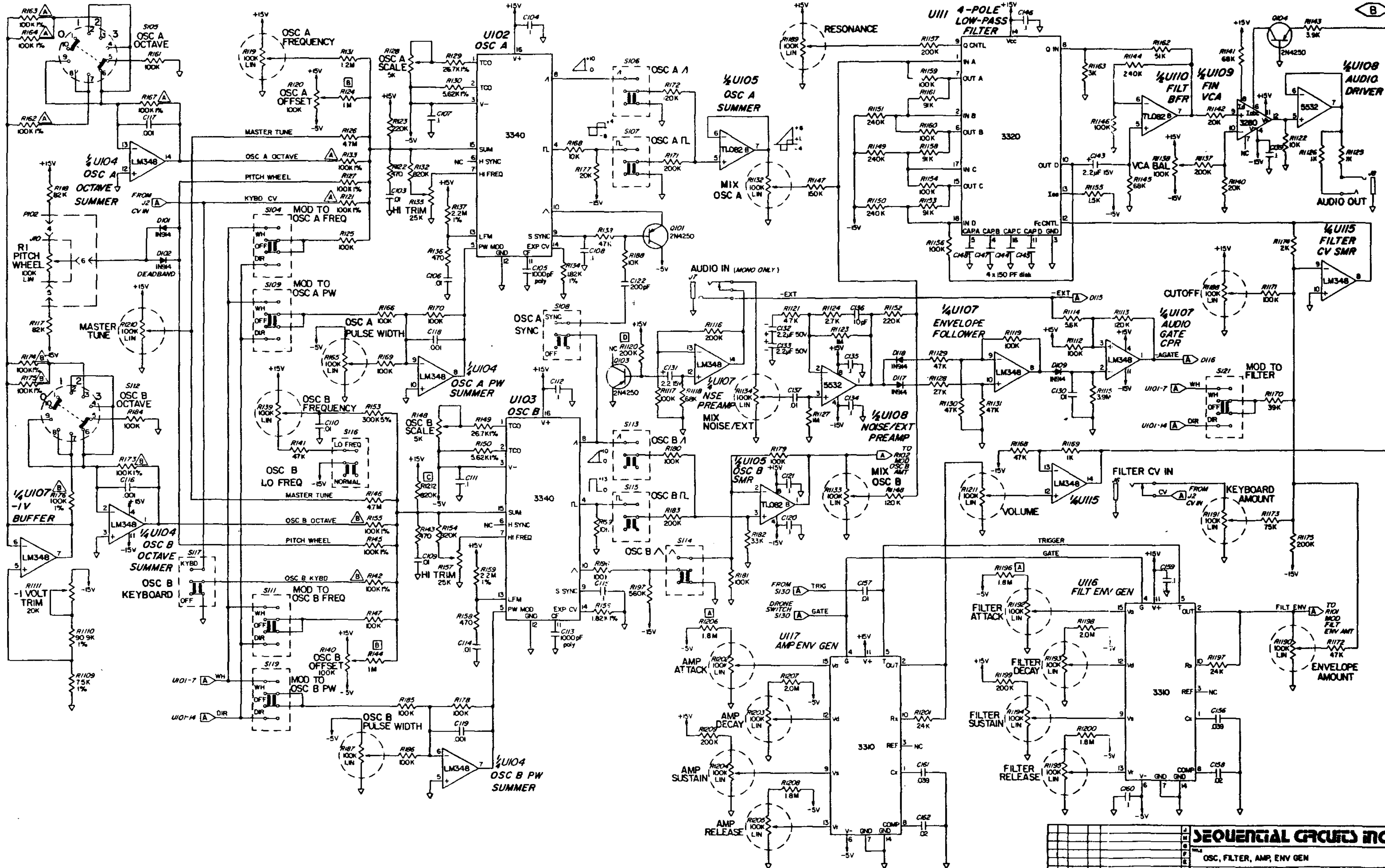


SEQUENTIAL CIRCUITS INC			
J	U113	MICROCOMPUTER, KEYBOARD, LFO,	
K		MODULATION, POWER SUPPLY	
L			
M			
N			
O			
P			
Q			
R			
S			
T			
U			
V			
W			
X			
Y			
Z			
AA			
AB			
AC			
AD			
AE			
AF			
AG			
AH			
AI			
AJ			
AK			
AL			
AM			
AN			
AO			
AP			
AQ			
AR			
AS			
AT			
AU			
AV			
AW			
AX			
AY			
AZ			
BA			
BB			
BC			
BD			
BE			
BF			
BG			
BH			
BI			
BJ			
BK			
BL			
BM			
BN			
BO			
BP			
BQ			
BR			
BS			
BT			
BU			
BV			
BW			
BX			
BY			
BZ			
CA			
CB			
CC			
CD			
CE			
CF			
CG			
CH			
CI			
CJ			
CK			
CL			
CM			
CN			
CO			
CP			
CQ			
CR			
CS			
CT			
CU			
CV			
CW			
CX			
CY			
CZ			
DA			
DB			
DC			
DD			
DE			
DF			
DG			
DH			
DI			
DJ			
DK			
DL			
DM			
DN			
DO			
DP			
DQ			
DR			
DS			
DT			
DU			
DV			
DW			
DX			
DY			
DZ			
EA			
EB			
EC			
ED			
EE			
EF			
EG			
EH			
EI			
EJ			
EK			
EL			
EM			
EN			
EO			
EP			
EQ			
ER			
ES			
ET			
EU			
EV			
EW			
EX			
EY			
EZ			
FA			
FB			
FC			
FD			
FE			
FF			
FG			
FH			
FI			
FJ			
FK			
FL			
FM			
FN			
FO			
FP			
FQ			
FR			
FS			
FT			
FU			
FV			
FW			
FX			
FY			
FZ			
GA			
GB			
GC			
GD			
GE			
GF			
GG			
GH			
GI			
GJ			
GK			
GL			
GM			
GN			
GO			
GP			
GQ			
GR			
GS			
GT			
GU			
GV			
GW			
GX			
GY			
GA			



△ △ MATCHED TO 0%

SEQUENTIAL CIRCUITS INC									
OSC, FILTER, AMP, ENV GEN									
QTY	REF	DESCRIPTION	QTY	REF	DESCRIPTION	QTY	REF	DESCRIPTION	QTY
1	U101-7	WH	1	U101-14	DIR	1	U102	OSC A	1
1	U103	OSC B	1	U104	OSC A PW SUMMER	1	U104	OSC B PW SUMMER	1
1	U105	OSC A SUMMER	1	U105	OSC B SUMMER	1	U107	ENV FOLLOWS	1
1	U108	AUDIO DRIVER	1	U109	FILT VCA	1	U110	FILT BFR	1
1	U111	4-POLE LP FILTER	1	U115	FILT CV IN	1	U117	AMP ENV GEN	1
1	U118	NOISE/EXT PREAMP	1	U119	NOISE/EXT PREAMP	1	U120	MIX OSC B	1
1	U121	MOD TO FILTER	1	U122	VCA BAL	1	U123	MIX NOISE/EXT	1
1	U124	MOD TO OSC A FREQ	1	U125	MOD TO OSC A PW	1	U126	MOD TO OSC B FREQ	1
1	U127	MOD TO OSC B PW	1	U128	MOD TO OSC B FREQ	1	U129	MOD TO OSC A FREQ	1
1	U130	MOD TO OSC B FREQ	1	U131	MOD TO OSC A FREQ	1	U132	MOD TO OSC B PW	1
1	U133	MOD TO OSC A PW	1	U134	MOD TO OSC B PW	1	U135	MOD TO OSC A FREQ	1
1	U136	MOD TO OSC B FREQ	1	U137	MOD TO OSC A FREQ	1	U138	MOD TO OSC B PW	1
1	U139	MOD TO OSC A FREQ	1	U140	MOD TO OSC B PW	1	U141	MOD TO OSC A FREQ	1
1	U142	MOD TO OSC B PW	1	U143	MOD TO OSC A FREQ	1	U144	MOD TO OSC B PW	1
1	U145	MOD TO OSC A FREQ	1	U146	MOD TO OSC B PW	1	U147	MOD TO OSC A FREQ	1
1	U148	MOD TO OSC B PW	1	U149	MOD TO OSC A FREQ	1	U150	MOD TO OSC B PW	1
1	U151	MOD TO OSC A FREQ	1	U152	MOD TO OSC B PW	1	U153	MOD TO OSC A FREQ	1
1	U154	MOD TO OSC B PW	1	U155	MOD TO OSC A FREQ	1	U156	MOD TO OSC B PW	1
1	U157	MOD TO OSC A FREQ	1	U158	MOD TO OSC B PW	1	U159	MOD TO OSC A FREQ	1
1	U160	MOD TO OSC B PW	1	U161	MOD TO OSC A FREQ	1	U162	MOD TO OSC B PW	1
1	U163	MOD TO OSC A FREQ	1	U164	MOD TO OSC B PW	1	U165	MOD TO OSC A FREQ	1
1	U166	MOD TO OSC B PW	1	U167	MOD TO OSC A FREQ	1	U168	MOD TO OSC B PW	1
1	U169	MOD TO OSC A FREQ	1	U170	MOD TO OSC B PW	1	U171	MOD TO OSC A FREQ	1
1	U172	MOD TO OSC B PW	1	U173	MOD TO OSC A FREQ	1	U174	MOD TO OSC B PW	1
1	U175	MOD TO OSC A FREQ	1	U176	MOD TO OSC B PW	1	U177	MOD TO OSC A FREQ	1
1	U178	MOD TO OSC B PW	1	U179	MOD TO OSC A FREQ	1	U180	MOD TO OSC B PW	1
1	U181	MOD TO OSC A FREQ	1	U182	MOD TO OSC B PW	1	U183	MOD TO OSC A FREQ	1
1	U184	MOD TO OSC B PW	1	U185	MOD TO OSC A FREQ	1	U186	MOD TO OSC B PW	1
1	U187	MOD TO OSC A FREQ	1	U188	MOD TO OSC B PW	1	U189	MOD TO OSC A FREQ	1
1	U190	MOD TO OSC B PW	1	U191	MOD TO OSC A FREQ	1	U192	MOD TO OSC B PW	1
1	U193	MOD TO OSC A FREQ	1	U194	MOD TO OSC B PW	1	U195	MOD TO OSC A FREQ	1
1	U196	MOD TO OSC B PW	1	U197	MOD TO OSC A FREQ	1	U198	MOD TO OSC B PW	1
1	U199	MOD TO OSC A FREQ	1	U200	MOD TO OSC B PW	1	U201	MOD TO OSC A FREQ	1
1	U202	MOD TO OSC B PW	1	U203	MOD TO OSC A FREQ	1	U204	MOD TO OSC B PW	1
1	U205	MOD TO OSC A FREQ	1	U206	MOD TO OSC B PW	1	U207	MOD TO OSC A FREQ	1
1	U208	MOD TO OSC B PW	1	U209	MOD TO OSC A FREQ	1	U210	MOD TO OSC B PW	1
1	U211	MOD TO OSC A FREQ	1	U212	MOD TO OSC B PW	1	U213	MOD TO OSC A FREQ	1
1	U214	MOD TO OSC B PW	1	U215	MOD TO OSC A FREQ	1	U216	MOD TO OSC B PW	1
1	U217	MOD TO OSC A FREQ	1	U218	MOD TO OSC B PW	1	U219	MOD TO OSC A FREQ	1
1	U220	MOD TO OSC B PW	1	U221	MOD TO OSC A FREQ	1	U222	MOD TO OSC B PW	1
1	U223	MOD TO OSC A FREQ	1	U224	MOD TO OSC B PW	1	U225	MOD TO OSC A FREQ	1
1	U226	MOD TO OSC B PW	1	U227	MOD TO OSC A FREQ	1	U228	MOD TO OSC B PW	1
1	U229	MOD TO OSC A FREQ	1	U230	MOD TO OSC B PW	1	U231	MOD TO OSC A FREQ	1
1	U232	MOD TO OSC B PW	1	U233	MOD TO OSC A FREQ	1	U234	MOD TO OSC B PW	1
1	U235	MOD TO OSC A FREQ	1	U236	MOD TO OSC B PW	1	U237	MOD TO OSC A FREQ	1
1	U238	MOD TO OSC B PW	1	U239	MOD TO OSC A FREQ	1	U240	MOD TO OSC B PW	1
1	U241	MOD TO OSC A FREQ	1	U242	MOD TO OSC B PW	1	U243	MOD TO OSC A FREQ	1
1	U244	MOD TO OSC B PW	1	U245	MOD TO OSC A FREQ	1	U246	MOD TO OSC B PW	1
1	U247	MOD TO OSC A FREQ	1	U248	MOD TO OSC B PW	1	U249	MOD TO OSC A FREQ	1
1	U250	MOD TO OSC B PW	1	U251	MOD TO OSC A FREQ	1	U252	MOD TO OSC B PW	1
1	U253	MOD TO OSC A FREQ	1	U254	MOD TO OSC B PW	1	U255	MOD TO OSC A FREQ	1
1	U256	MOD TO OSC B PW	1	U257	MOD TO OSC A FREQ	1	U258	MOD TO OSC B PW	1
1	U259	MOD TO OSC A FREQ	1	U260	MOD TO OSC B PW	1	U261	MOD TO OSC A FREQ	1
1	U262	MOD TO OSC B PW	1	U263	MOD TO OSC A FREQ	1	U264	MOD TO OSC B PW	1
1	U265	MOD TO OSC A FREQ	1	U266	MOD TO OSC B PW	1	U267	MOD TO OSC A FREQ	1
1	U268	MOD TO OSC B PW	1	U269	MOD TO OSC A FREQ	1	U270	MOD TO OSC B PW	1
1	U271	MOD TO OSC A FREQ	1	U272	MOD TO OSC B PW	1	U273	MOD TO OSC A FREQ	1
1	U274	MOD TO OSC B PW	1	U275	MOD TO OSC A FREQ	1	U276	MOD TO OSC B PW	1
1	U277	MOD TO OSC A FREQ	1	U278	MOD TO OSC B PW	1	U279	MOD TO OSC A FREQ	1
1	U280	MOD TO OSC B PW	1	U281	MOD TO OSC A FREQ	1	U282	MOD TO OSC B PW	1
1	U283	MOD TO OSC A FREQ	1	U284	MOD TO OSC B PW	1	U285	MOD TO OSC A FREQ	1
1	U286	MOD TO OSC B PW	1	U287	MOD TO OSC A FREQ	1	U288	MOD TO OSC B PW	1
1	U289	MOD TO OSC A FREQ	1	U290	MOD TO OSC B PW	1	U291	MOD TO OSC A FREQ	1
1	U292	MOD TO OSC B PW	1	U293	MOD TO OSC A FREQ	1	U294	MOD TO OSC B PW	1
1	U295	MOD TO OSC A FREQ	1	U296	MOD TO OSC B PW	1	U297	MOD TO OSC A FREQ	1
1	U298	MOD TO OSC B PW	1	U299	MOD TO OSC A FREQ	1	U300	MOD TO OSC B PW	1