

# FOUR VOICE ELECTRONICS CONNECTIONS

## CHANNEL OUTPUT (TYPICAL FOUR PLACES)

<u>PIN</u>	<u>FUNCTION</u>
1	} GATE OUT
2	
3	} GROUND
4	
5	} CONTROL VOLTAGE OUT
6	

## KEYBOARD CONNECTOR

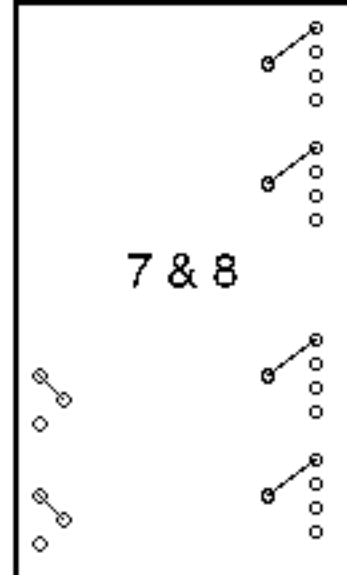
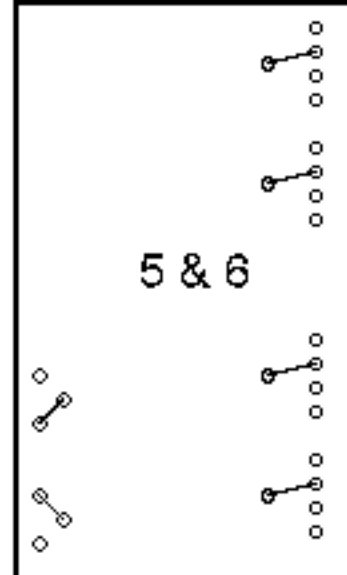
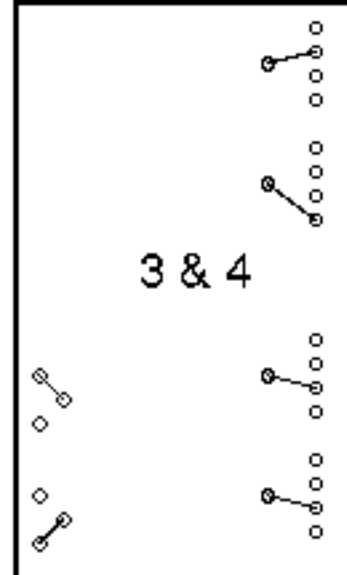
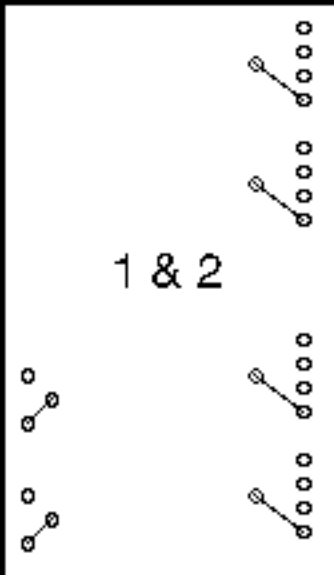
<u>PIN</u>	<u>PIN ON DECODE BOARD CONN. (12 PIN MOLEX)</u>	
1	12	(A1)
2	11	(A2)
3	10	(A3)
4	1	(A4)
5	3	(A5)
6	2	(A6)
7	7	(GND1)
8	4	(+V)
9	9	(KBUS)
10 (KEY)	—	

## POWER CONNECTOR

<u>PIN</u>	<u>FUNCTION</u>
1	+18.5
2	GND
3 (KEY)	—
4	-18.5

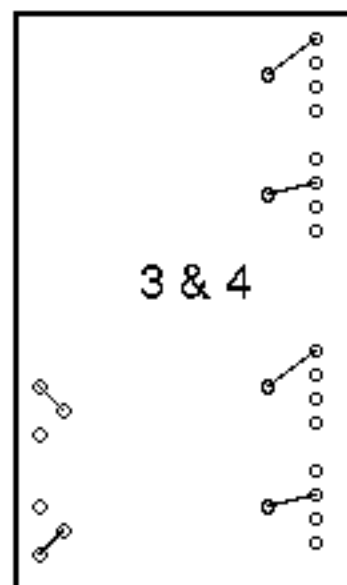
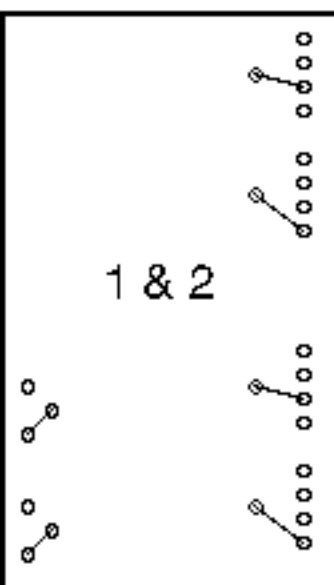
## TUNE CONNECTOR

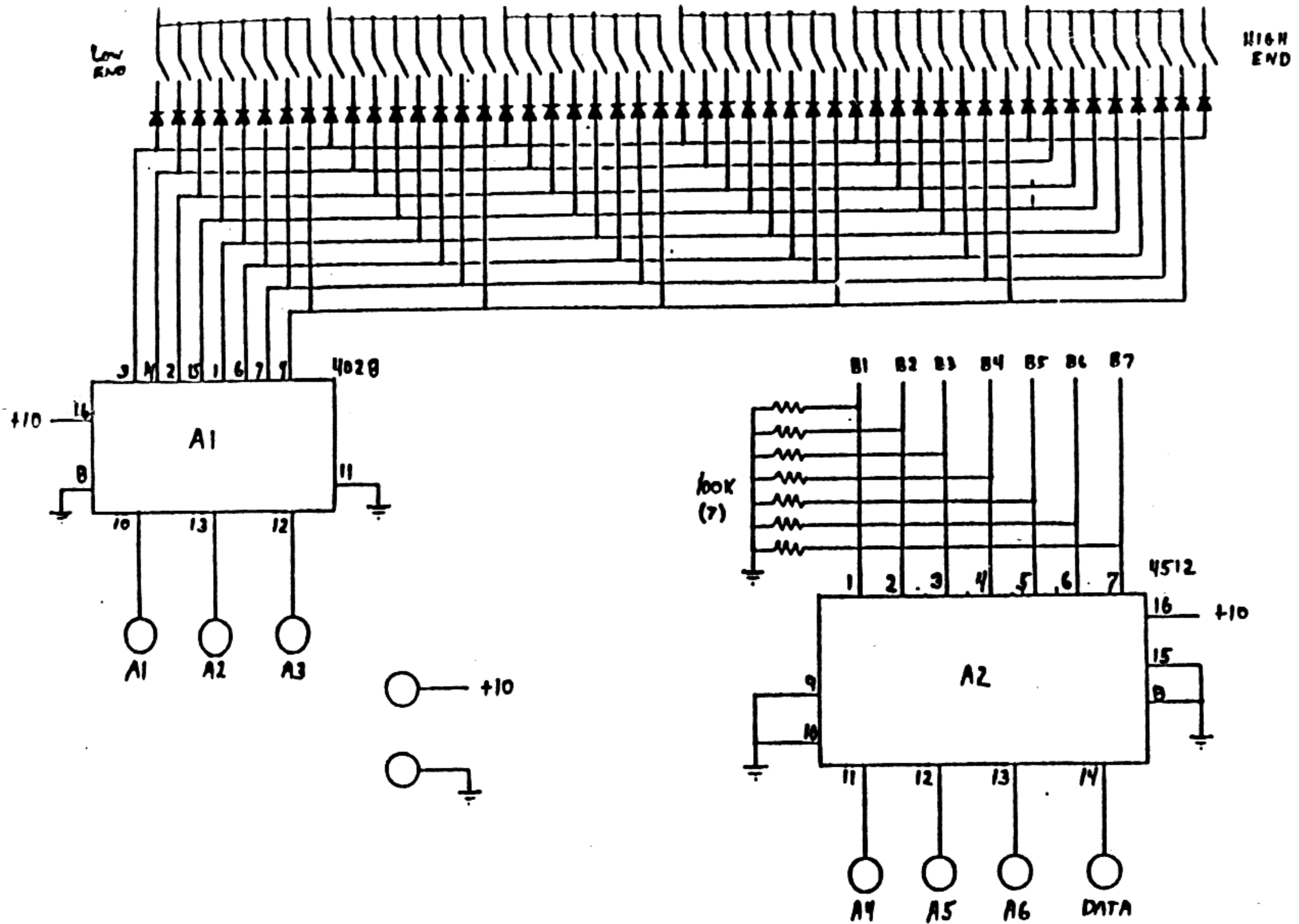
<u>PIN</u>	<u>FUNCTION</u>
1	VCO TUNE
2	GROUND
3	VCF TUNE



Eight Voice

Four Voice





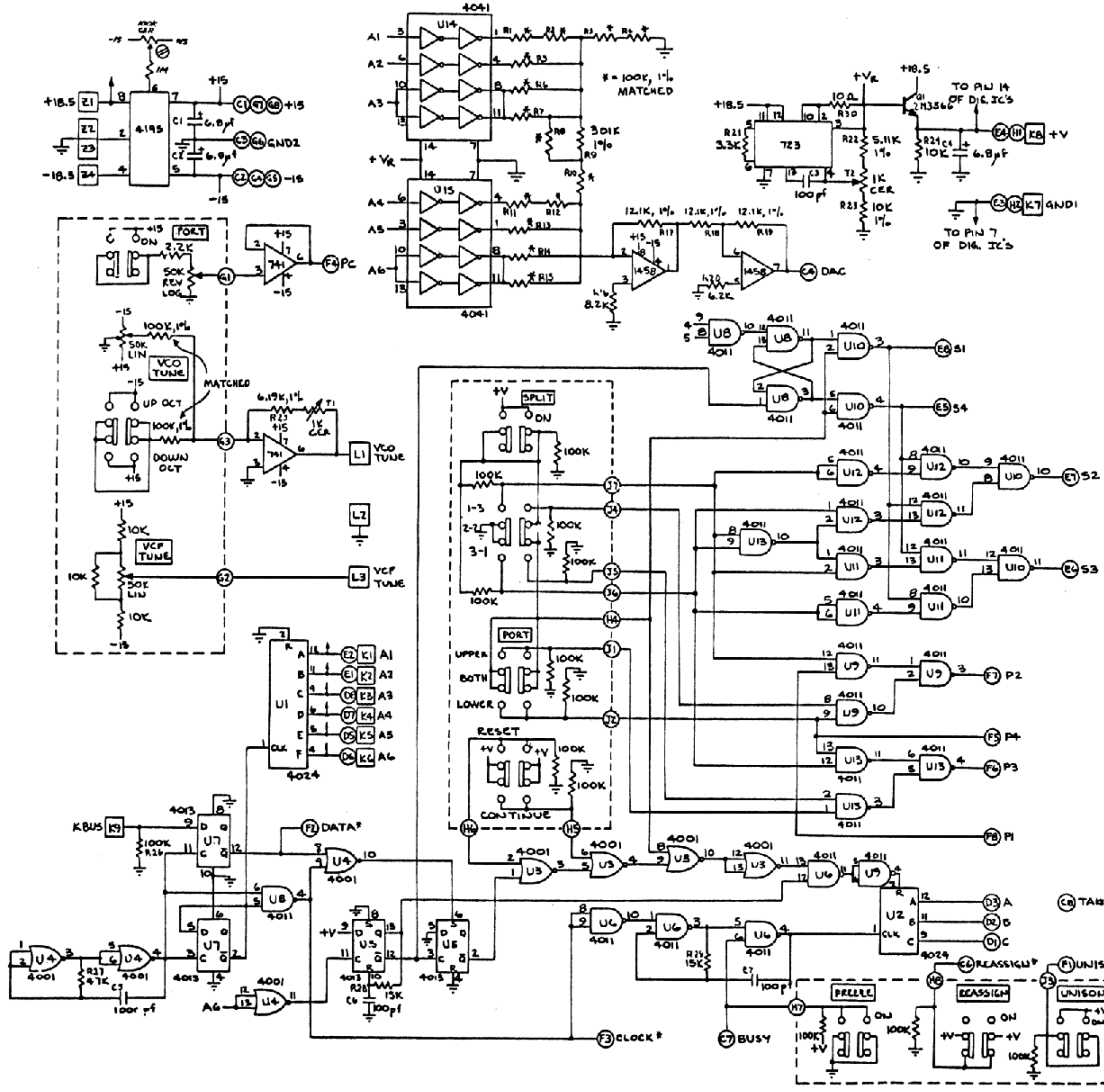
NOTES:

- 1) A1 AND A2 TO BE MOUNTED IN SOCKETS
- 2) ○ DENOTES SOLDERABLE PINS ON P.C BOARD
- 3) ALL RESISTORS 5% 1/4 OR 1/2 WATT

OBENHEIM ELECTRONICS, INC

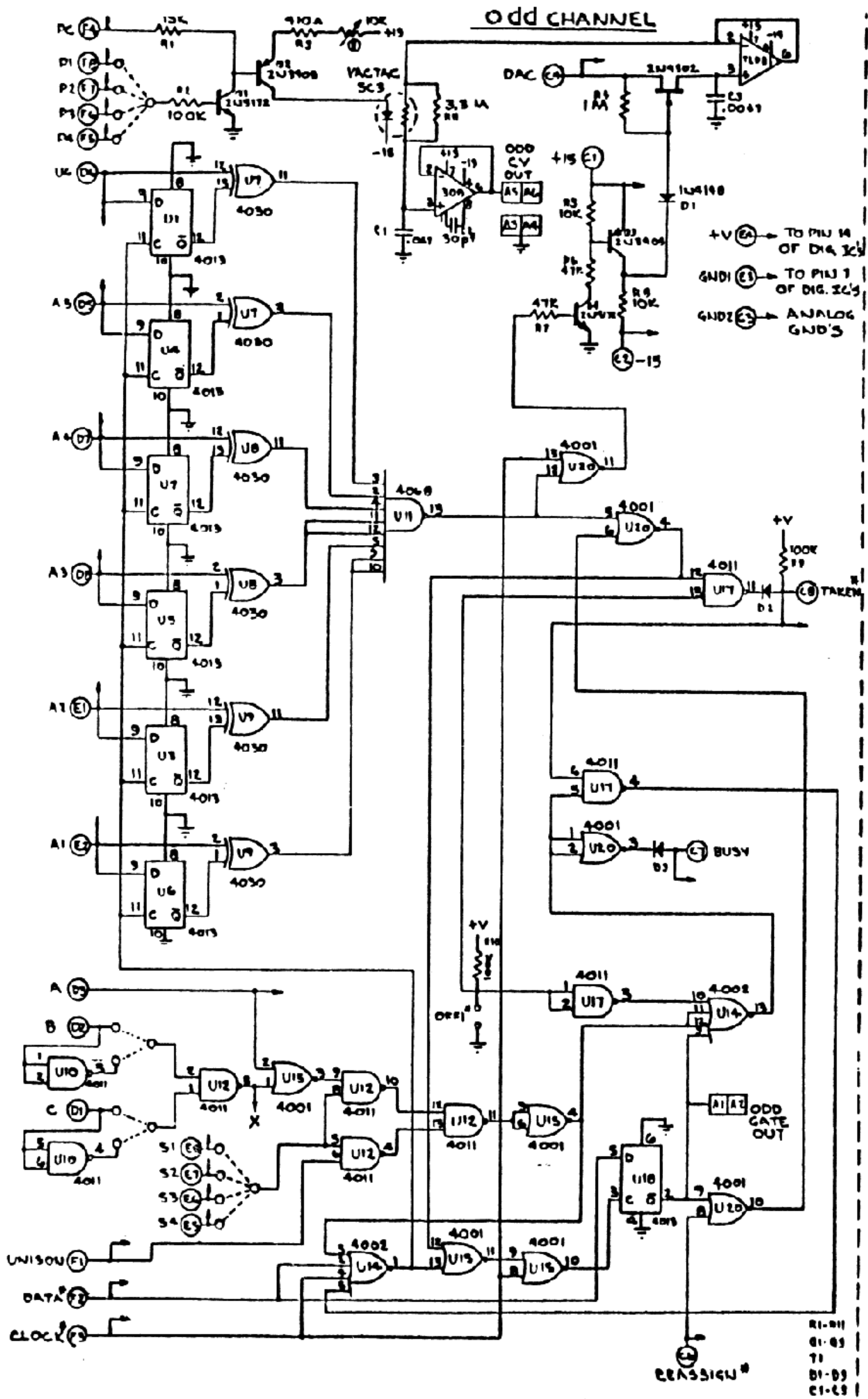
49 NOTE KEYBOARD  
WITH DECODER

7/77



- NOTES:  
 (UNLESS SPECIFIED OTHERWISE)  
 1. ALL RESISTORS ARE 1/4, 5%  
 2. ALL CAPACITORS IN  $\mu$ F  
 3. ALL NPN TRANSISTORS - 2N3172  
 4. ALL PNP TRANSISTORS - 2N3903  
 5. ALL DIODES - 1N4148  
 6. ALL FET'S - 2N4302
- C1-C7  
 Q1  
 T1-T2  
 R1-R30

**ODD CHANNEL**



**EVEN CHANNEL**

