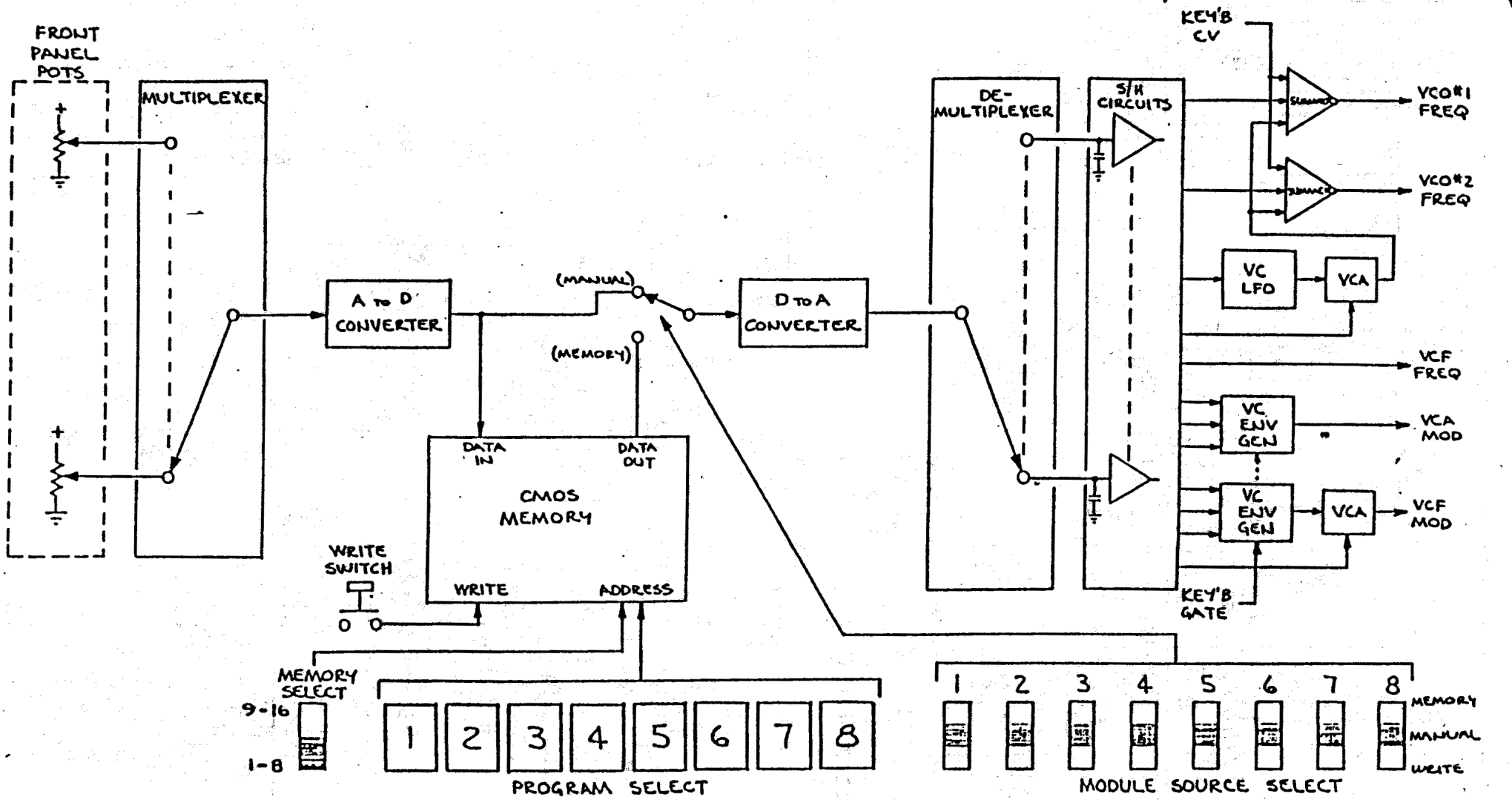
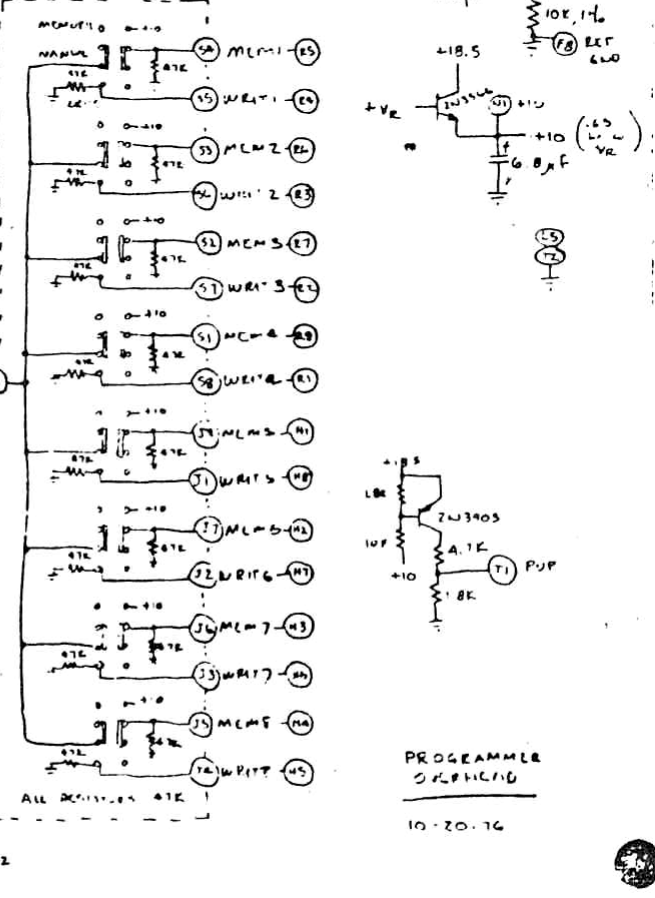
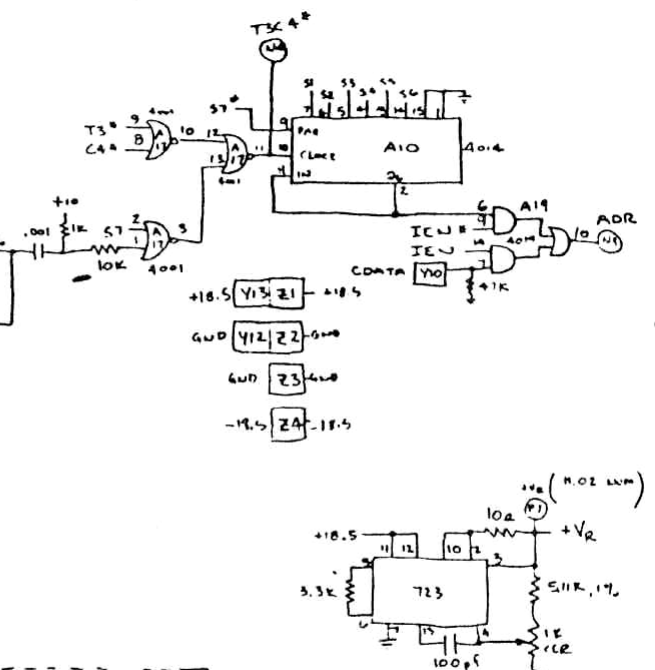
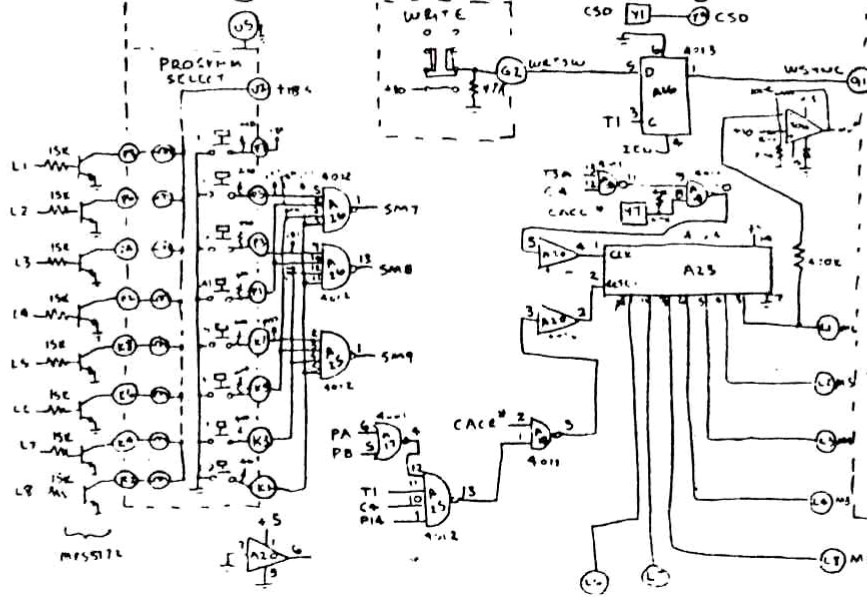
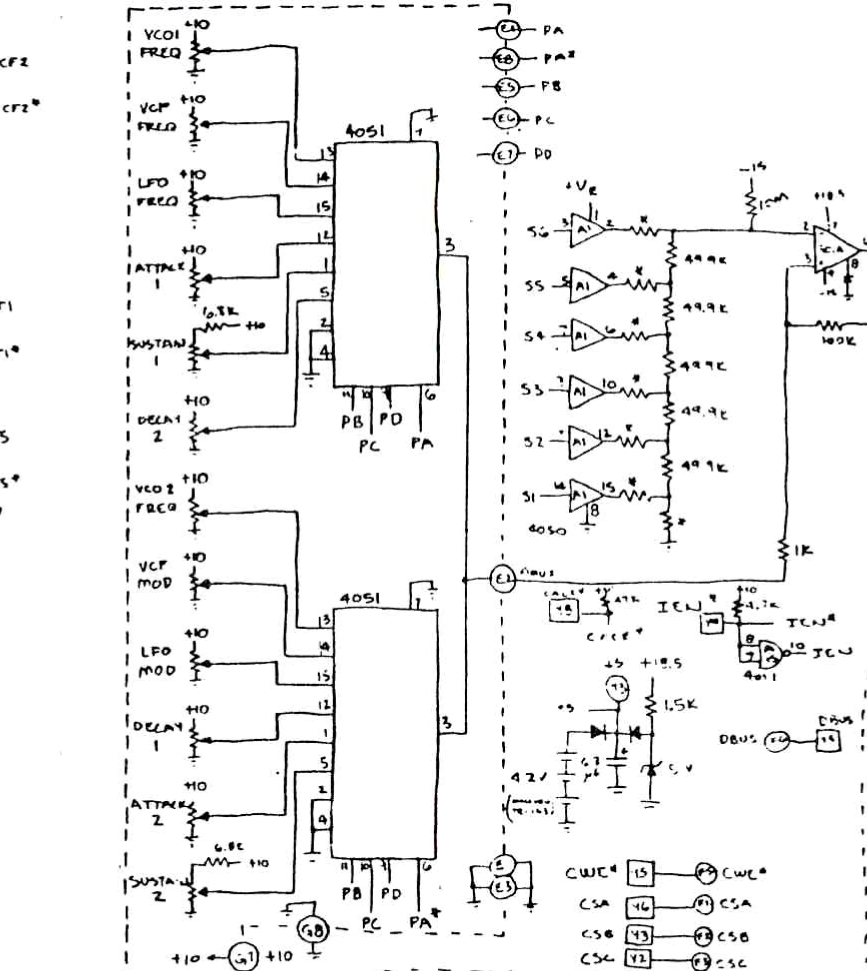
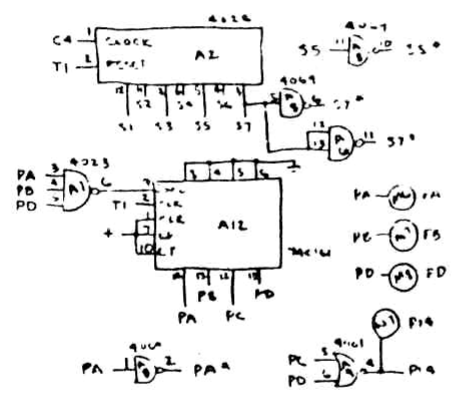
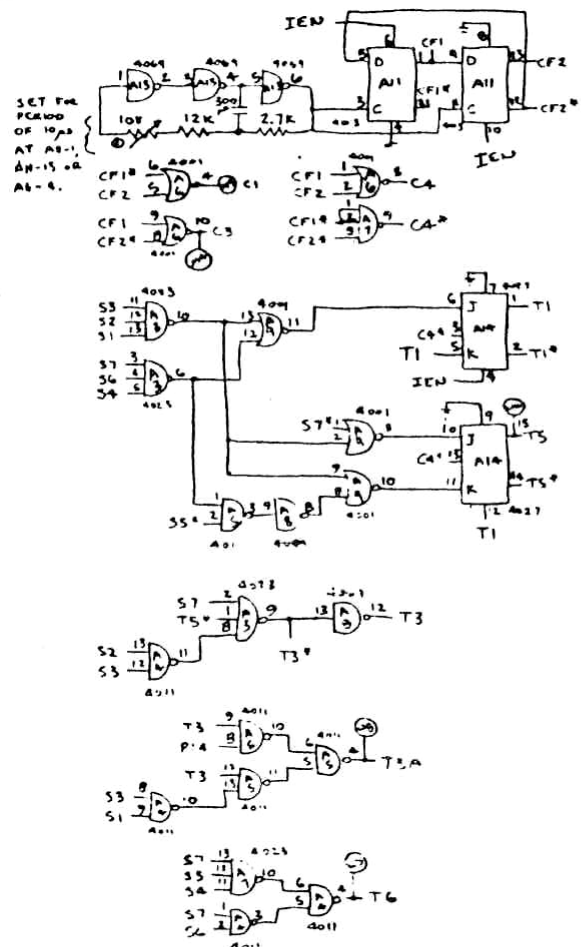


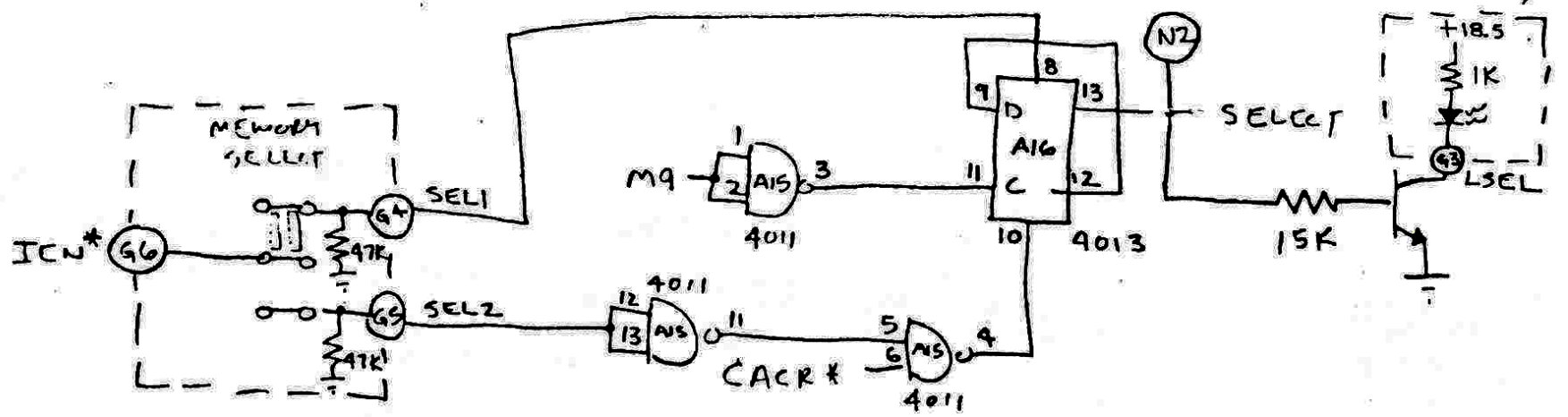
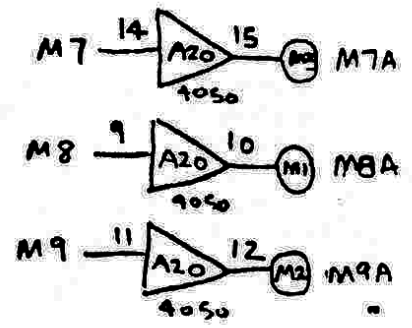
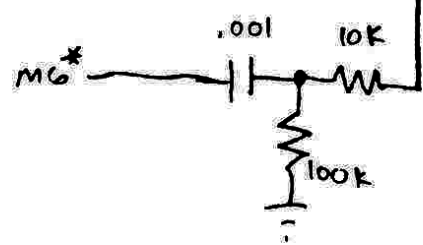
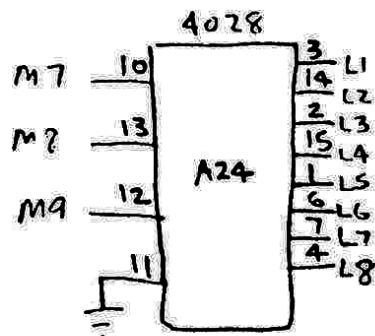
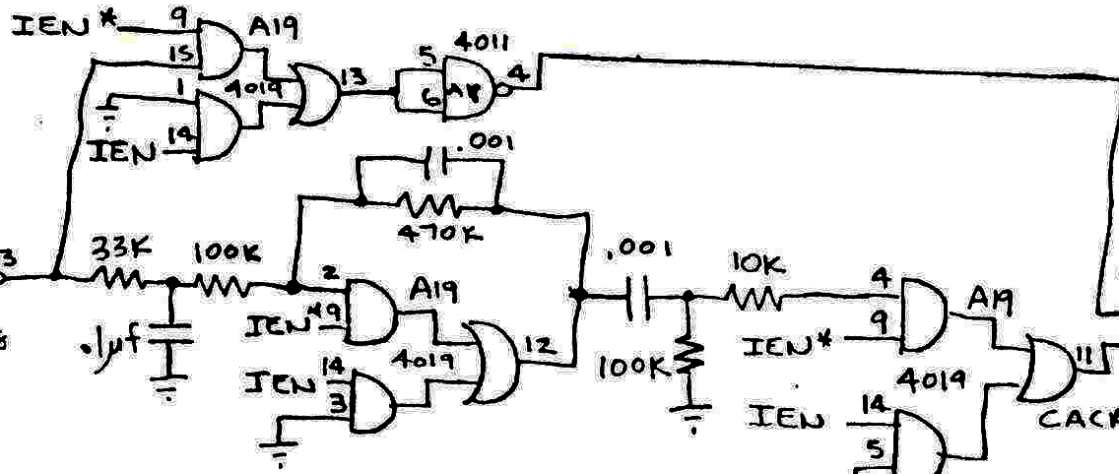
BLOCK DIAGRAM - PROGRAMMER -





PROGRAMMER
SPECIFIC
10-20-76

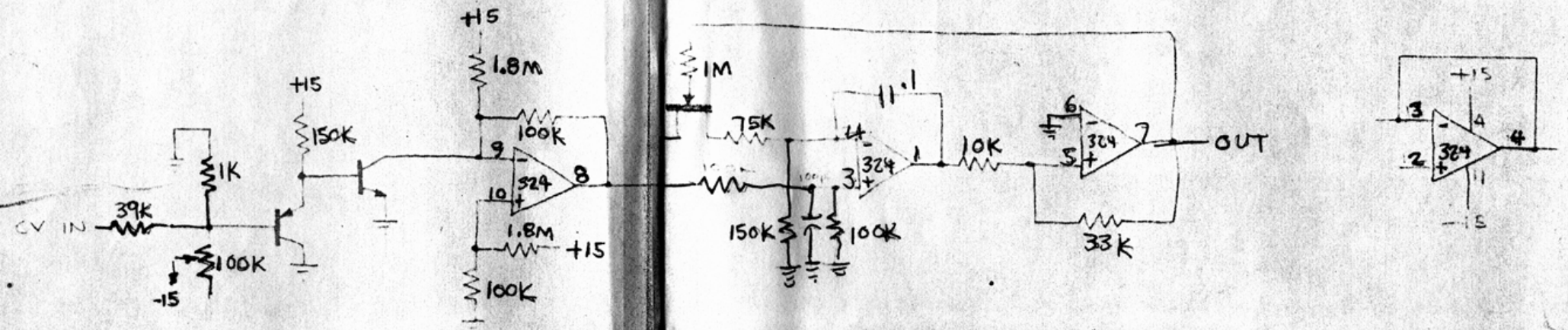
PB1 12
 PB2 11
 PB3 9
 PB4 10
 PB5 2
 PB6 3
 PB7 4
 PB8 5



10-20-76

PROGRAMMER NEARHEAD

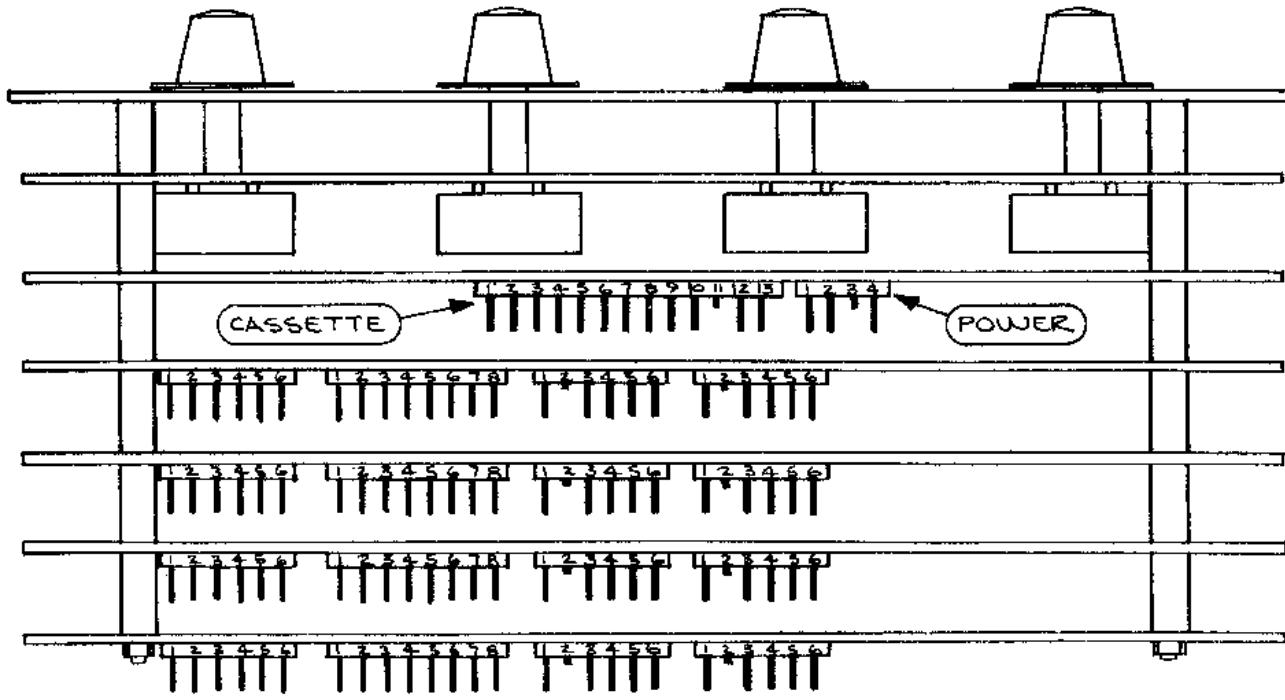
PROGRAMMER LFO



FOR INFORMATION ONLY
 This document contains proprietary information which shall not be disclosed to others, or used for manufacturing or any other purpose without prior written permission of Oberheim Electronics, Inc. Service performed by any person other than factory authorized repair stations may void the warranty.

- NOTES:
 1. UNLESS SPECIFIED OTHERWISE
 1. ALL RESISTORS ARE IN OHMS
 2. ALL CAPACITORS IN P.F.
 3. ALL NPN TRANSISTORS
 4. ALL PNP TRANSISTORS
 5. ALL DIODES IN PARTS LIST
 6. ALL FET'S - 2N4302
 3902?
 3905?
 2N4302

TOP VIEW



FRONT PANEL

POT BOARD

OVERHEAD BOARD

CHANNEL BOARD #1 (CHANNELS 1 & 2)

CHANNEL BOARD #2 (CHANNELS 3 & 4)

CHANNEL BOARD #3 (CHANNELS 5 & 6)

CHANNEL BOARD #4 (CHANNELS 7 & 8)

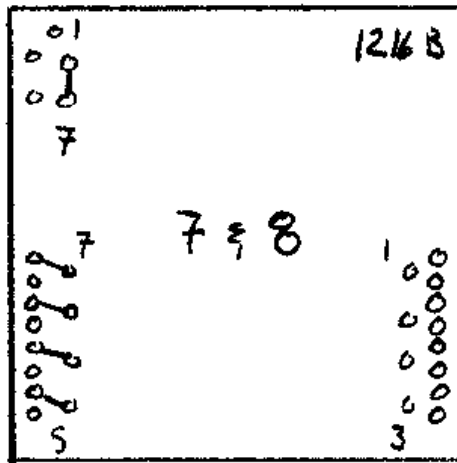
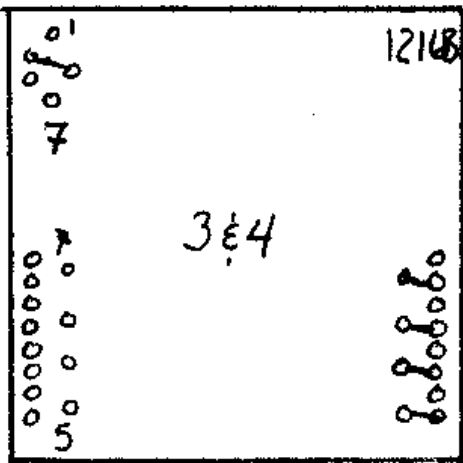
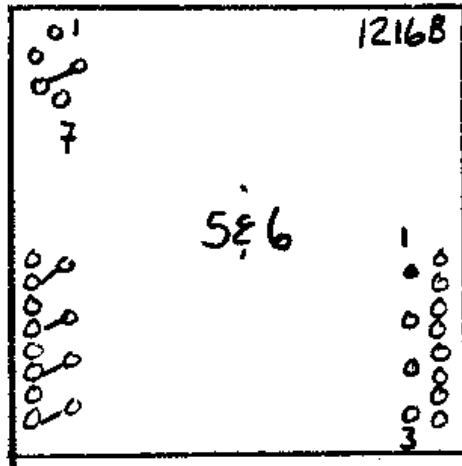
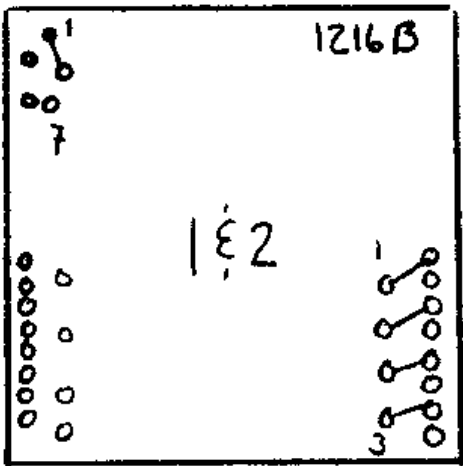
| POWER CONNECTOR | |
|-----------------|----------|
| PIN | FUNCTION |
| 1 | +18.5 V |
| 2 | GND |
| 3 | KEY |
| 4 | -18.5 V |

| A CONNECTOR | | D CONNECTOR | | B CONNECTOR | | C CONNECTOR | |
|-------------|------------------------------------|-------------|--------------------------------|-------------|--------------------------------|-------------|--------------------------------|
| PIN | FUNCTION | PIN | FUNCTION | PIN | FUNCTION | PIN | FUNCTION |
| 1 | KEY 'B' CV "A" (CH'S 1,3,5,7) | 1 | VCO 2 CV "B" (CH'S 2,4,6,8) | 1 | GATE "A" (CH'S 1,3,5,7) | 1 | GATE "B" (CH'S 2,4,6,8) |
| 2 | KEY 'B' CV "B" (CH'S 2,4,6,8) | 2 | VCO 2 CV "A" (CH'S 1,3,5,7) | 2 | KEY | 2 | KEY |
| 3 | GND | 3 | VCF ENV "B" (CH'S 2,4,6,8) | 3 | GND | 3 | GND |
| 4 | GND | 4 | VCF ENV "A" (CH'S 1,3,5,7) | 4 | NOT USED | 4 | NOT USED |
| 5 | KEY 'B' GATE "B" (CH'S 2,4,6,8) | 5 | VCF CV "B" (CH'S 2,4,6,8) | 5 | NOT USED | 5 | NOT USED |
| 6 | KEY 'B' GATE "A" (CH'S 1,3,5,7) | 6 | VCF CV "A" (CH'S 1,3,5,7) | 6 | VCO 1 CV "A" (CH'S 1,3,5,7) | 6 | VCO 1 CV "B" (CH'S 2,4,6,8) |
| | | 7 | VCA ENV "B" (CH'S 2,4,6,8) | | | | |
| | | 8 | VCA ENV "A" (CH'S 1,3,5,7) | | | | |

OBERHEIM ELECTRONICS, INC

PROGRAMMER
INPUT-OUTPUT CONNECTOR
PLACEMENTS

DEC. 15, 1976



CHANNEL T.S.
 JUMPERING
 PSP-1
 6-5-78 1216B

.1458

.308 CVB1

.308 CVB2

.308 CVZA

.308 CV1A

B VCFE VCFM B
A VCFE VCFM A

A DEAY₂ ATTACK A
A SUSTAIN₂ ATTACK A

A LFO F LFO M A
A SUSTAIN₁ DECAY 1 A

B DEAY₂ ATTACK 2 B
B SUSTAIN₂ ATTACK 1 B

B LFO F LFO M B
B SUSTAIN₁ DECAY 1 B

PSP S: H 1216B
PIN OUT
6-5-78 T.S.