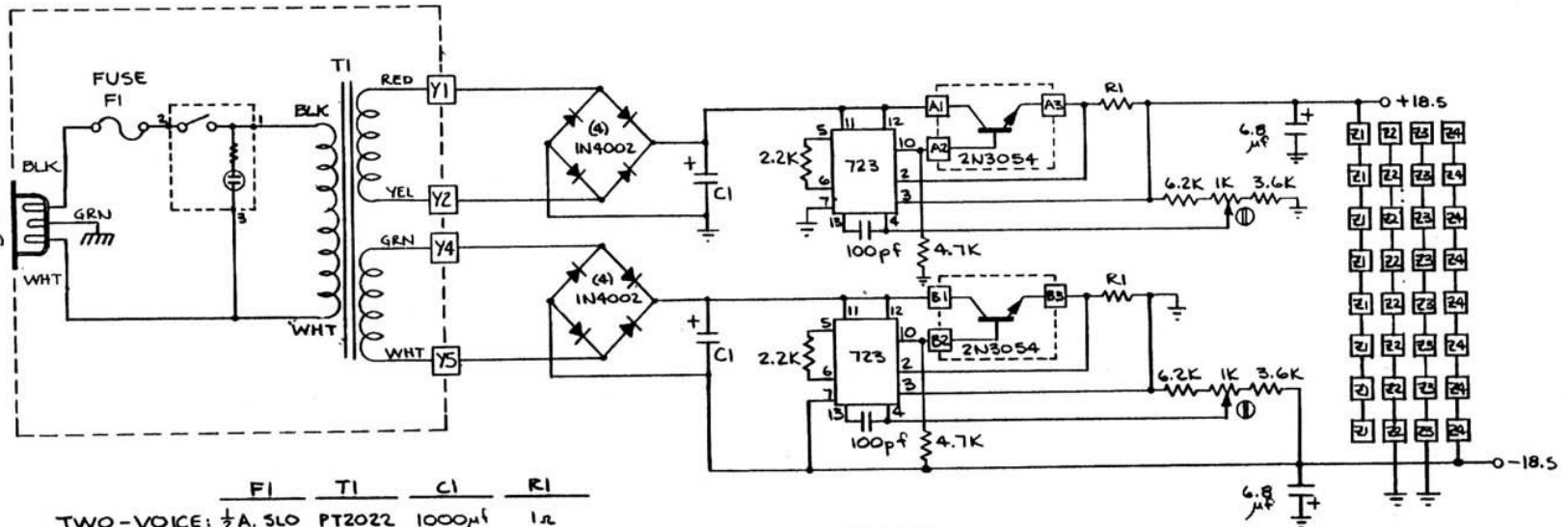
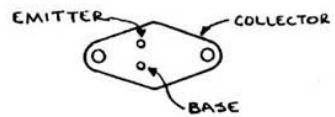


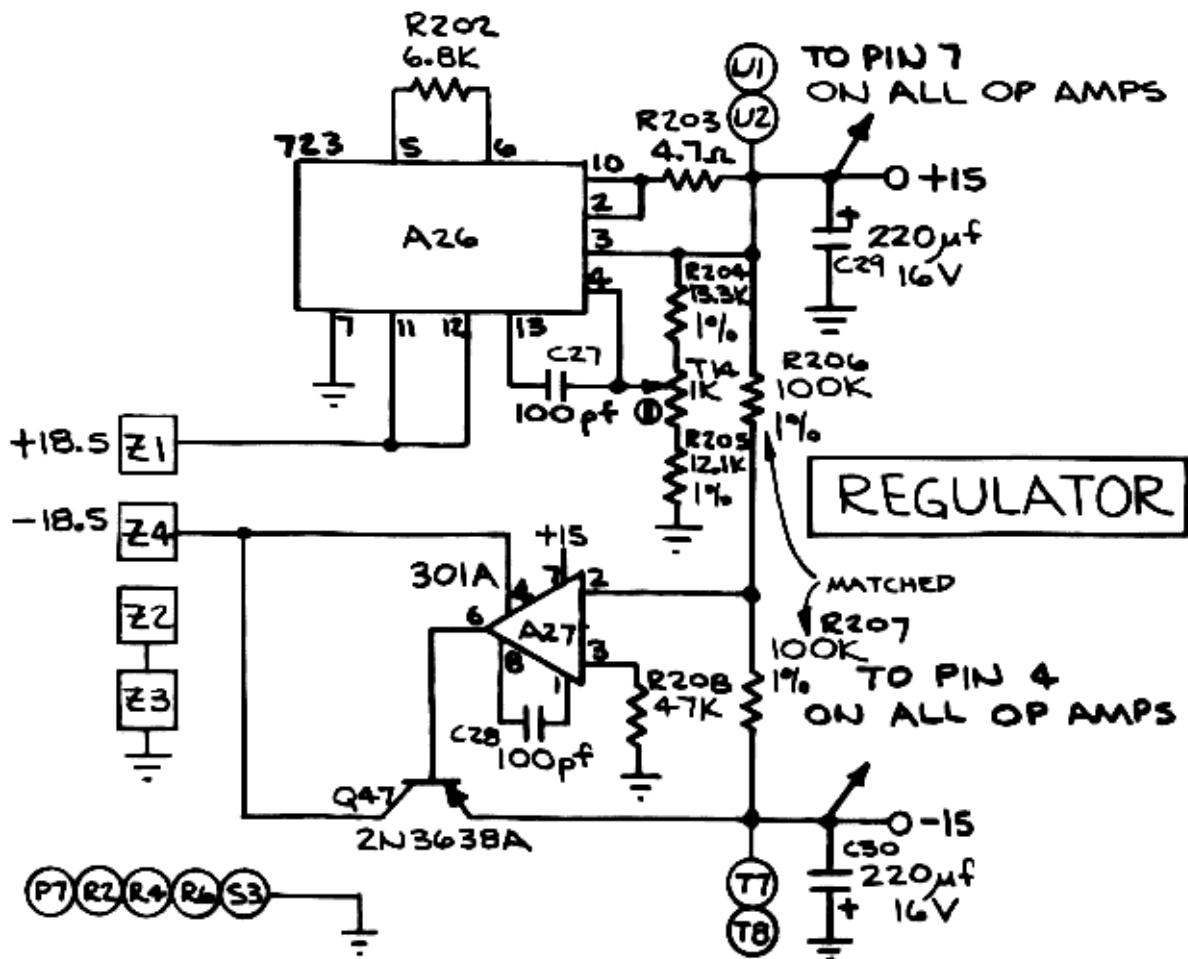
105-125 (BLK)  
VAC (GRN)  
50-60 Hz (WHT)



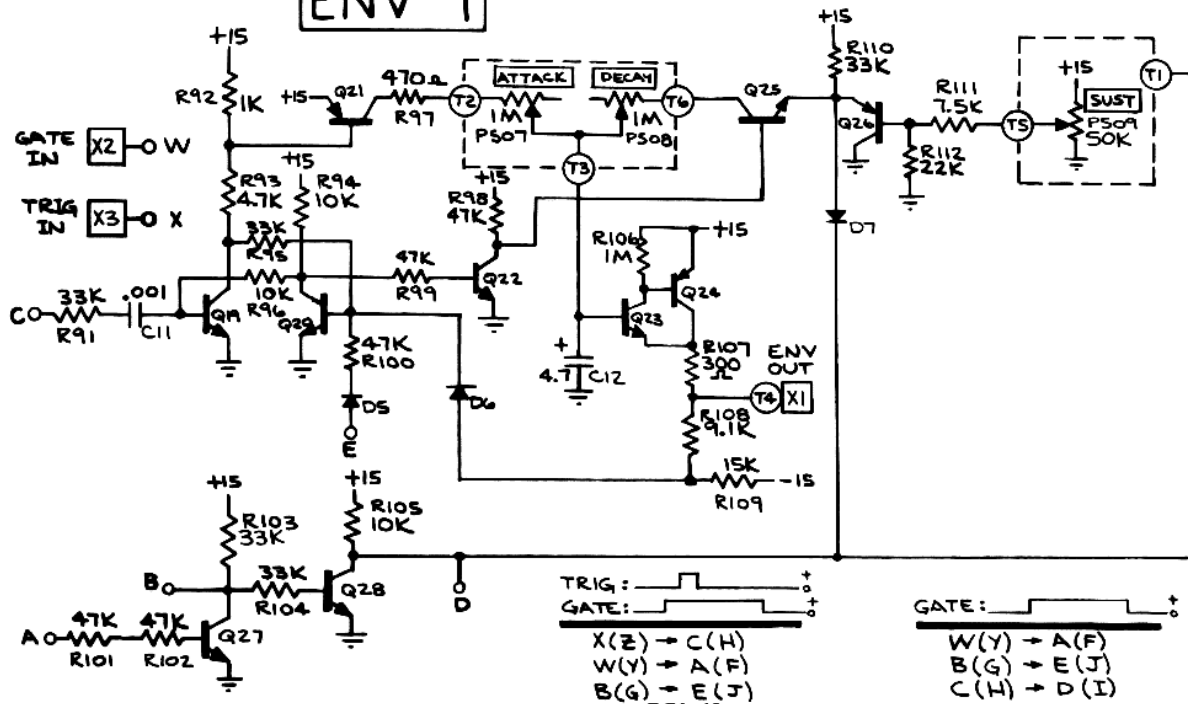
	F1	T1	C1	R1
TWO-VOICE:	½ A. SLO	PT2022	1000µf	1Ω
FOUR-VOICE:	1 A. SLO	PT2054	2000µf	.5Ω



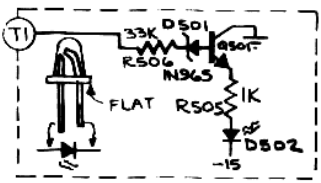
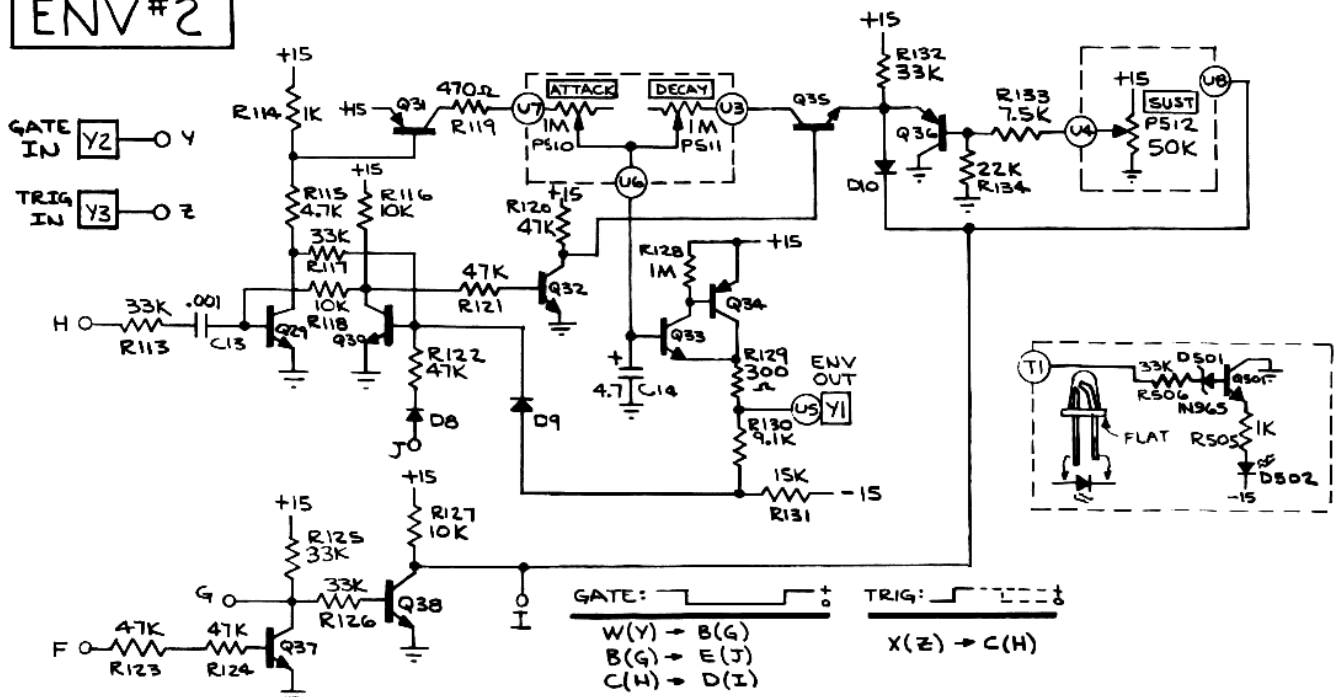
OBERHEIM ELECTRONICS, INC  
- SCHEMATIC -  
SYNTHESIZER  
POWER SUPPLY  
NOV. 11, 1975  
REV 5-30-78



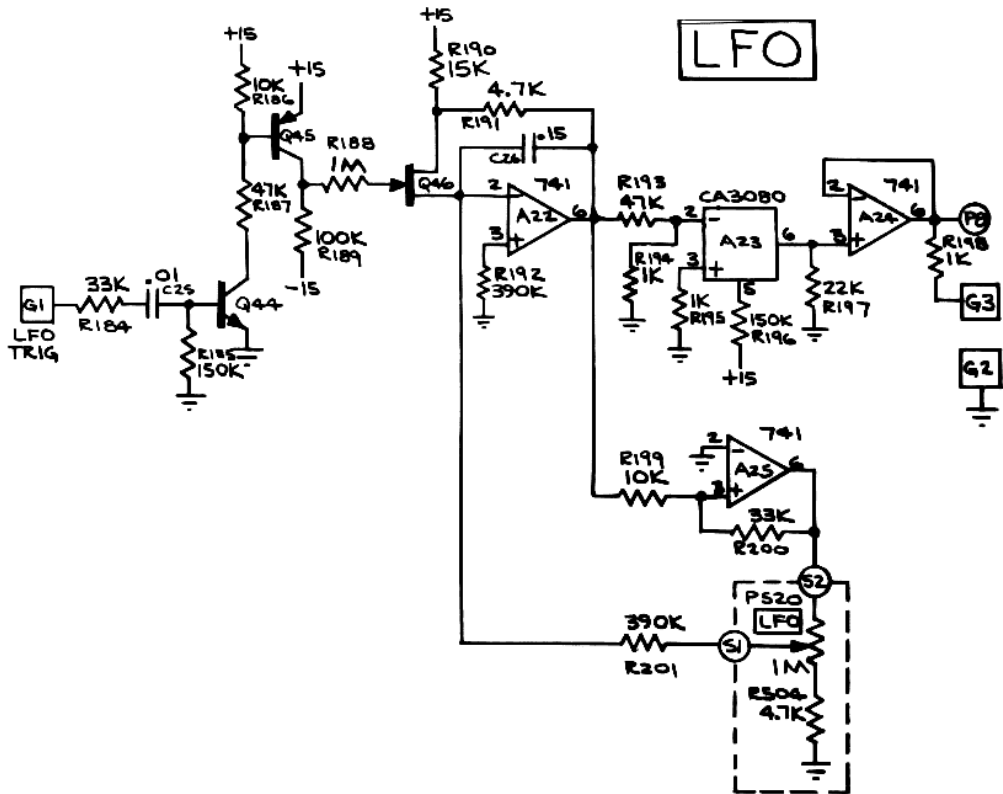
# ENV # 1

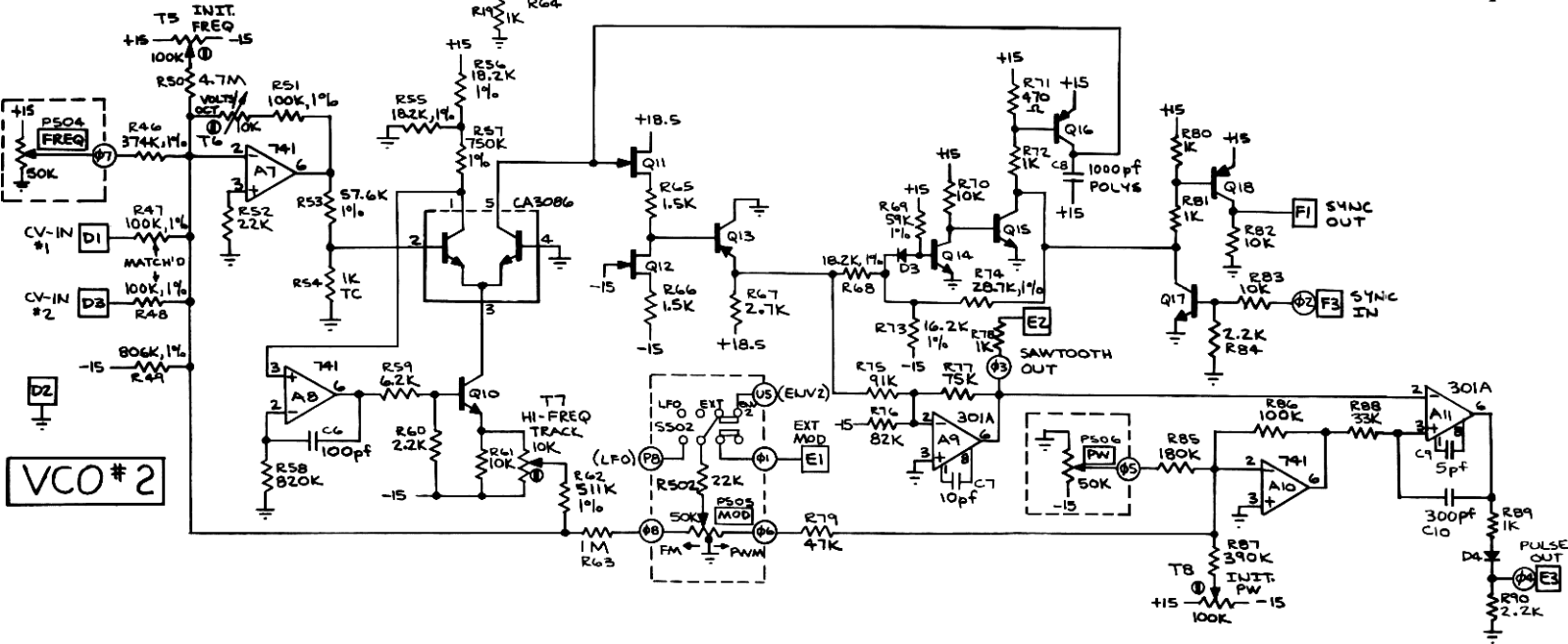
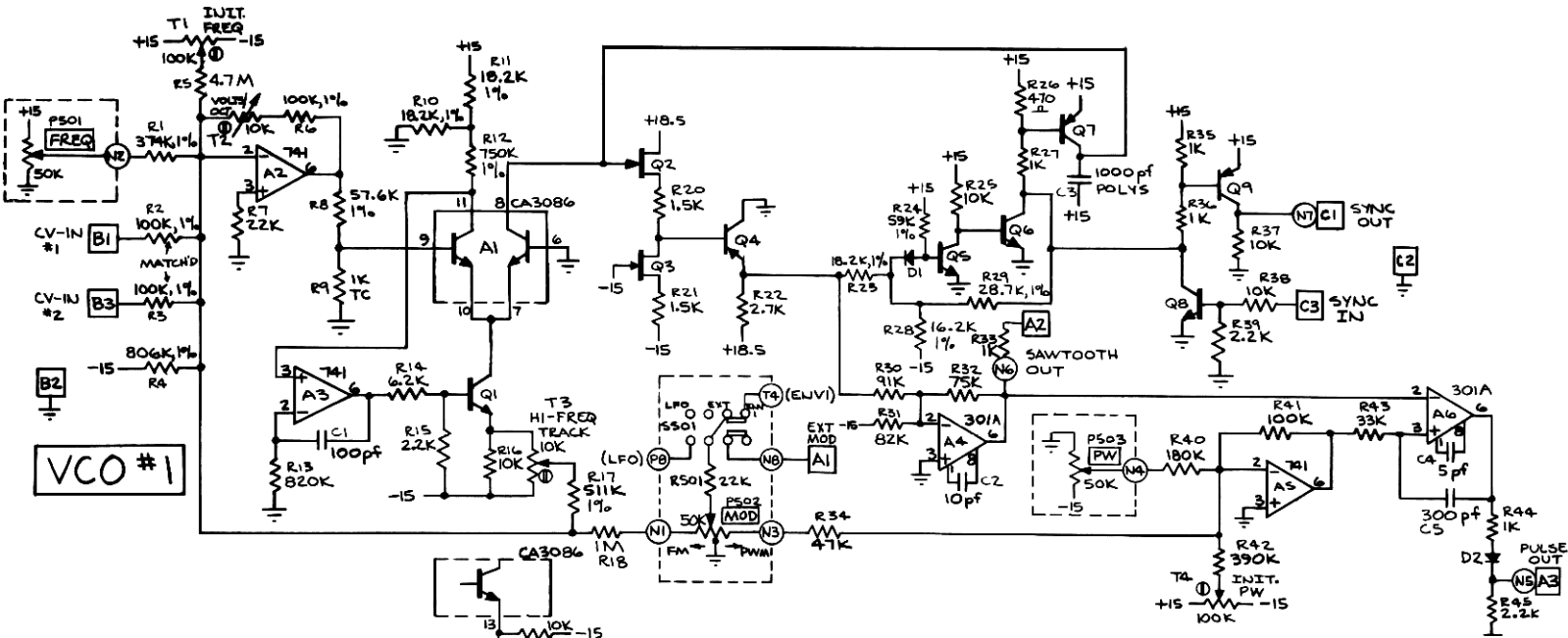


# ENV # 2

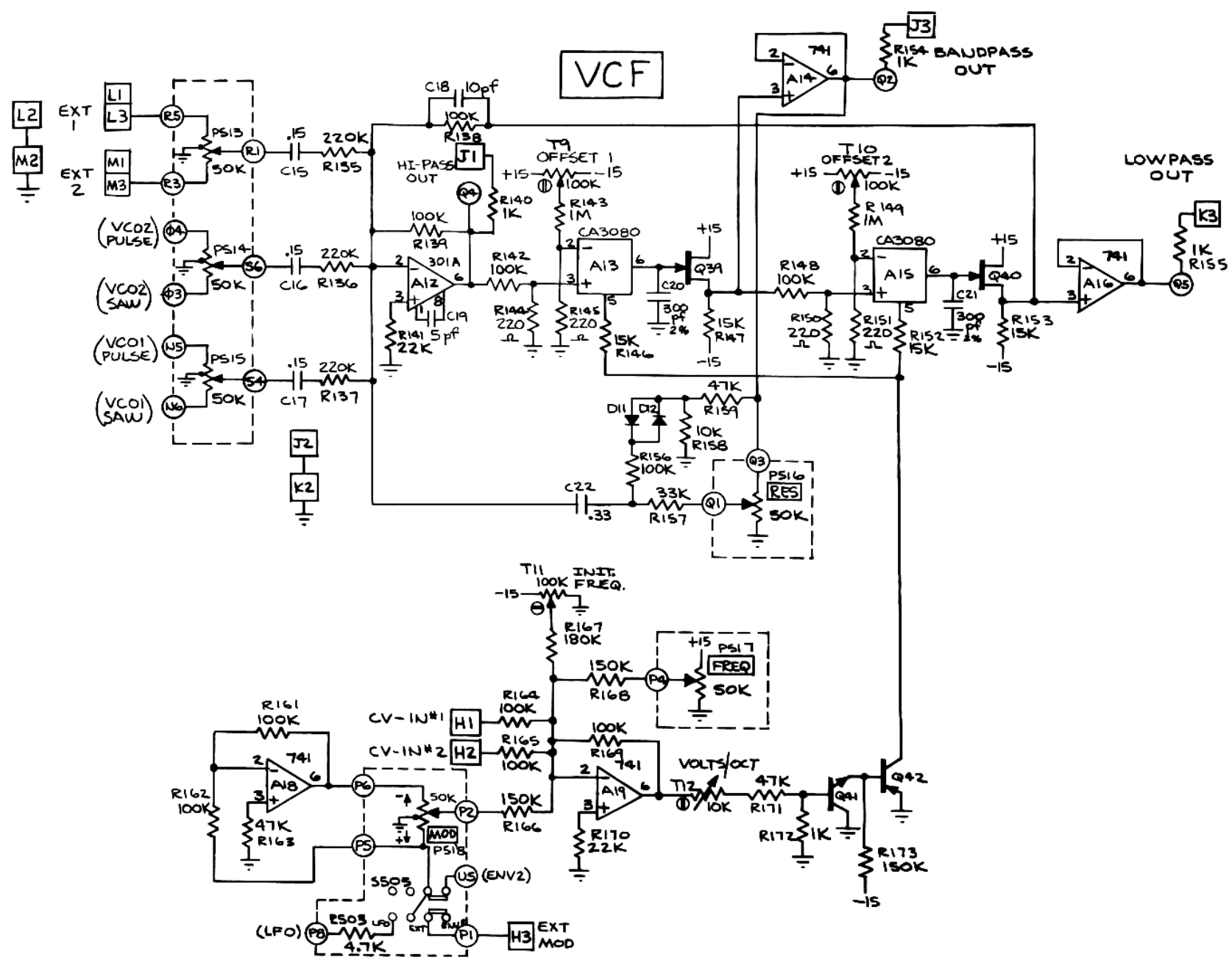


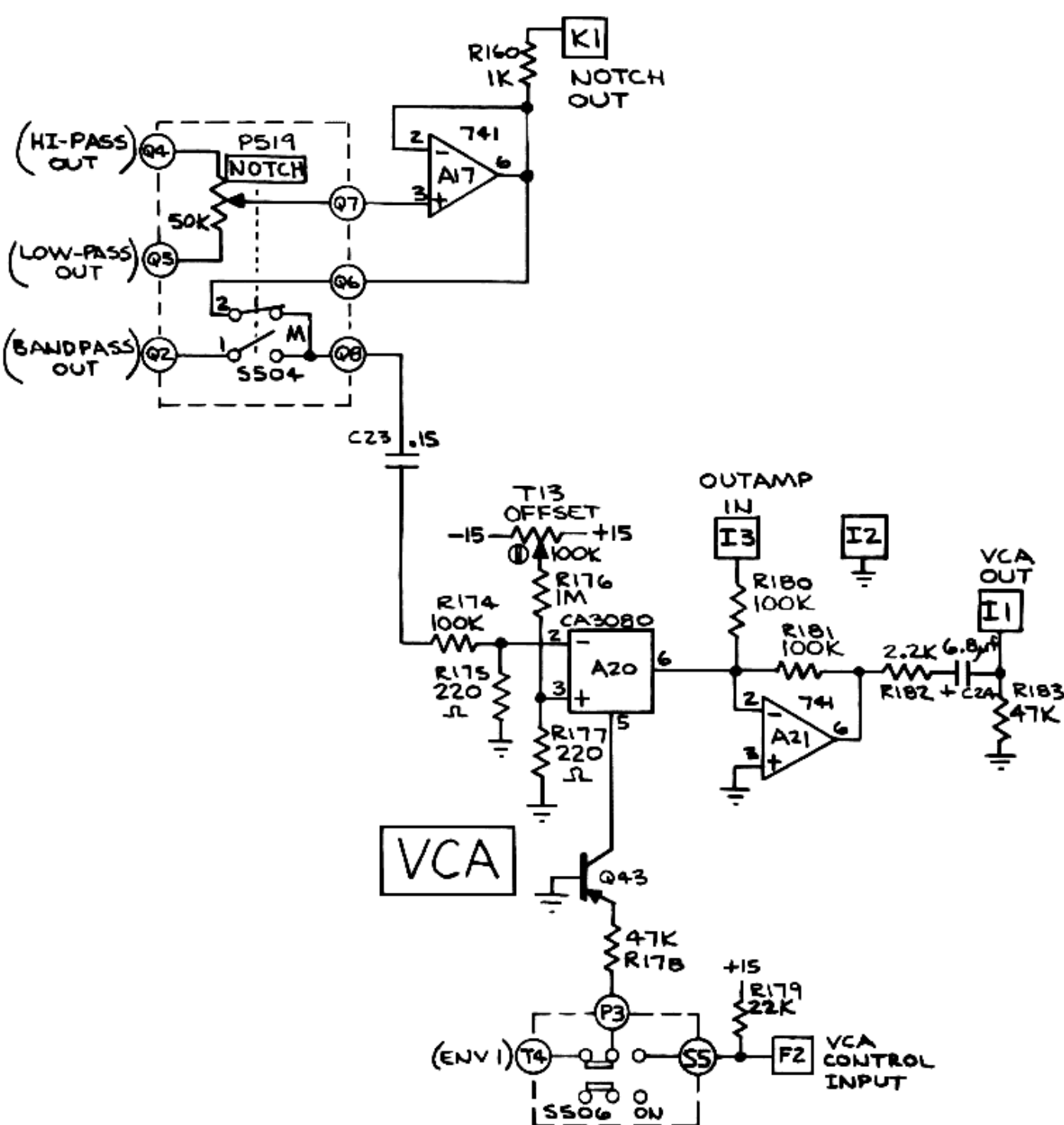
# LFO





# VCF





## NOTES:

(UNLESS SPECIFIED OTHERWISE)

1. ALL RESISTORS ARE  $\frac{1}{4}$  W, 5%
2. ALL CAPACITORS IN  $\mu$ f.
3. ALL NPN TRANSISTORS - 2N5172
4. ALL PNP TRANSISTORS - 2N3905
5. ALL DIODES - 1N4148
6. ALL FET'S - 2N4302

<u>LAST</u>	<u>LAST (POT 8D)</u>
R208	R506
T14	P520
C30	
D12	D502
Q47	Q501
A27	S506