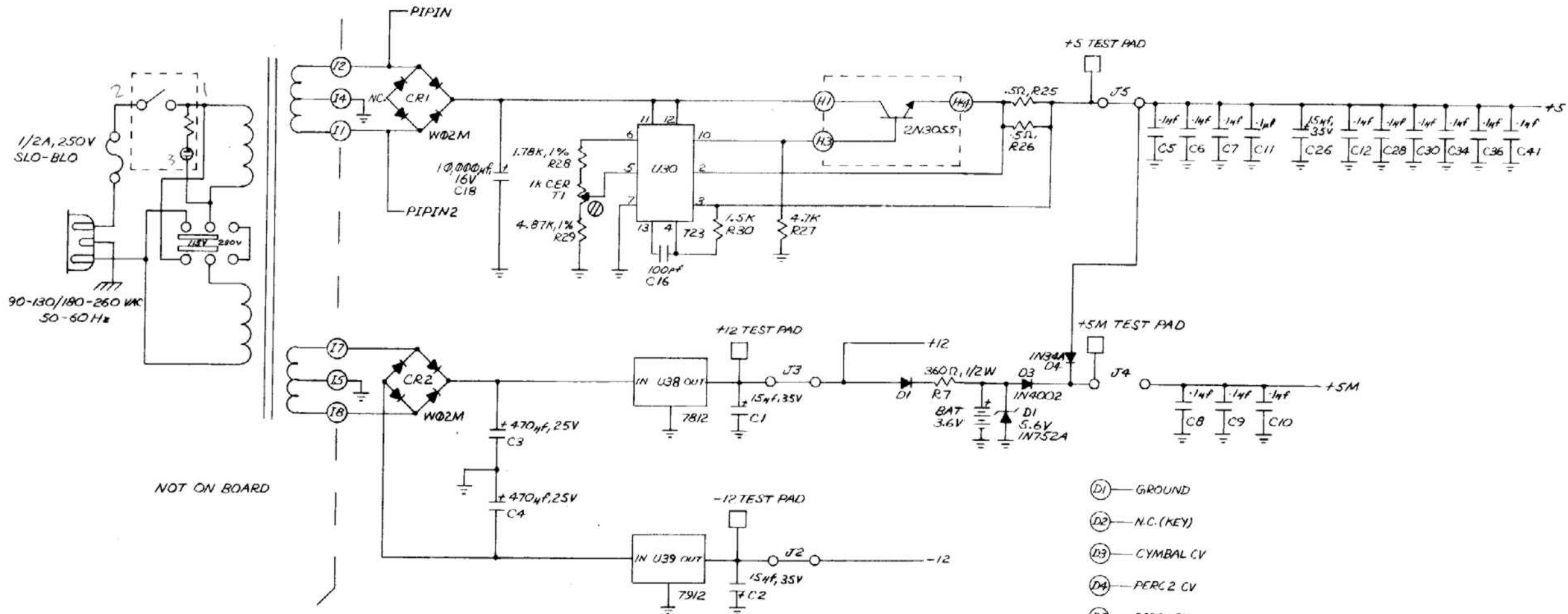
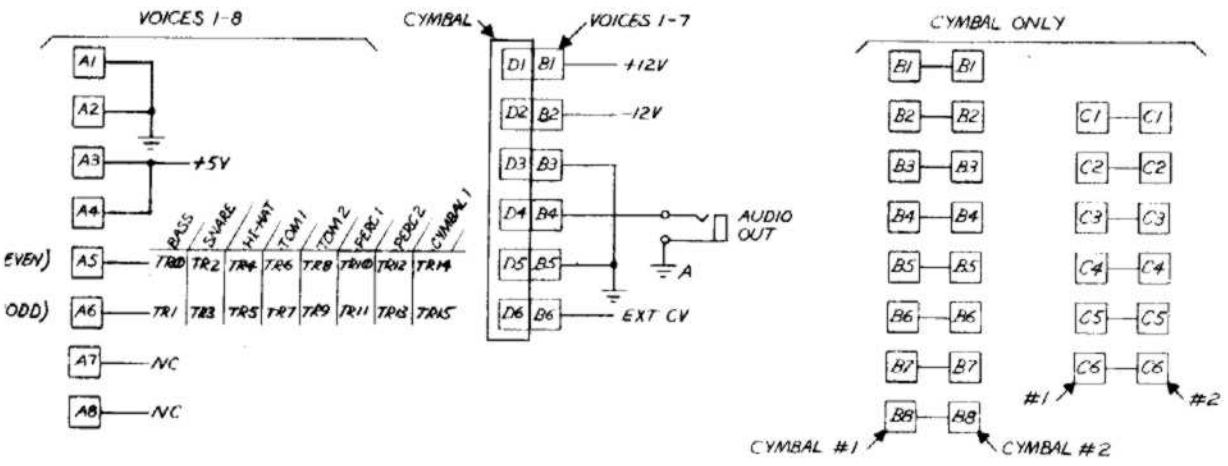


NOTES: 1. ALL DIODES ARE 1N414B
2. ALL NPN ARE 2N5172

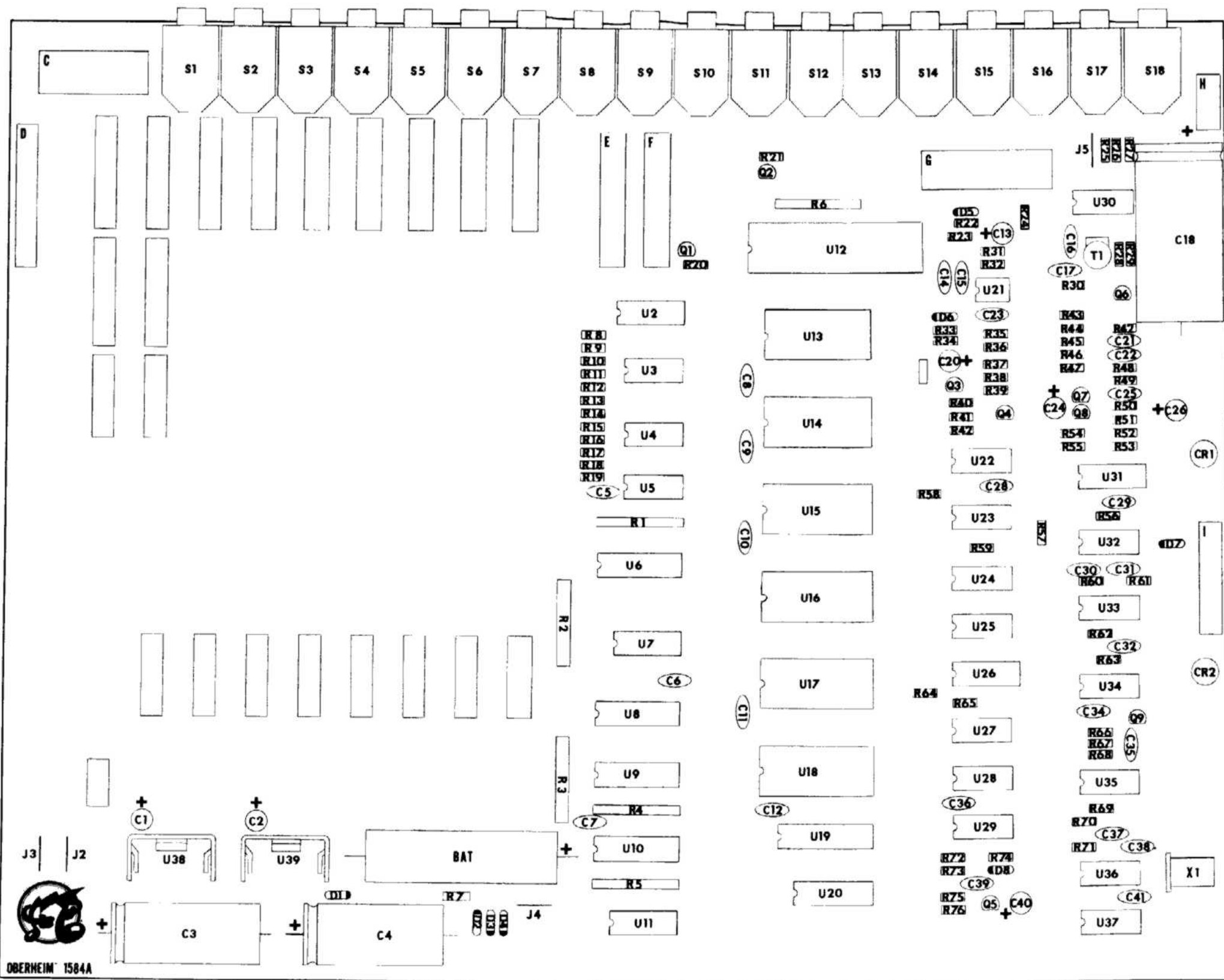


NOT ON BOARD

- (D1) — GROUND
- (D2) — N.C. (KEY)
- (D3) — CYMBAL CV
- (D4) — PERC 2 CV
- (D5) — PERC 1 CV
- (D6) — TOM 2 CV
- (D7) — TOM 1 CV
- (D8) — HI-HAT CV
- (D9) — SNARE CV
- (D10) — BASS CV



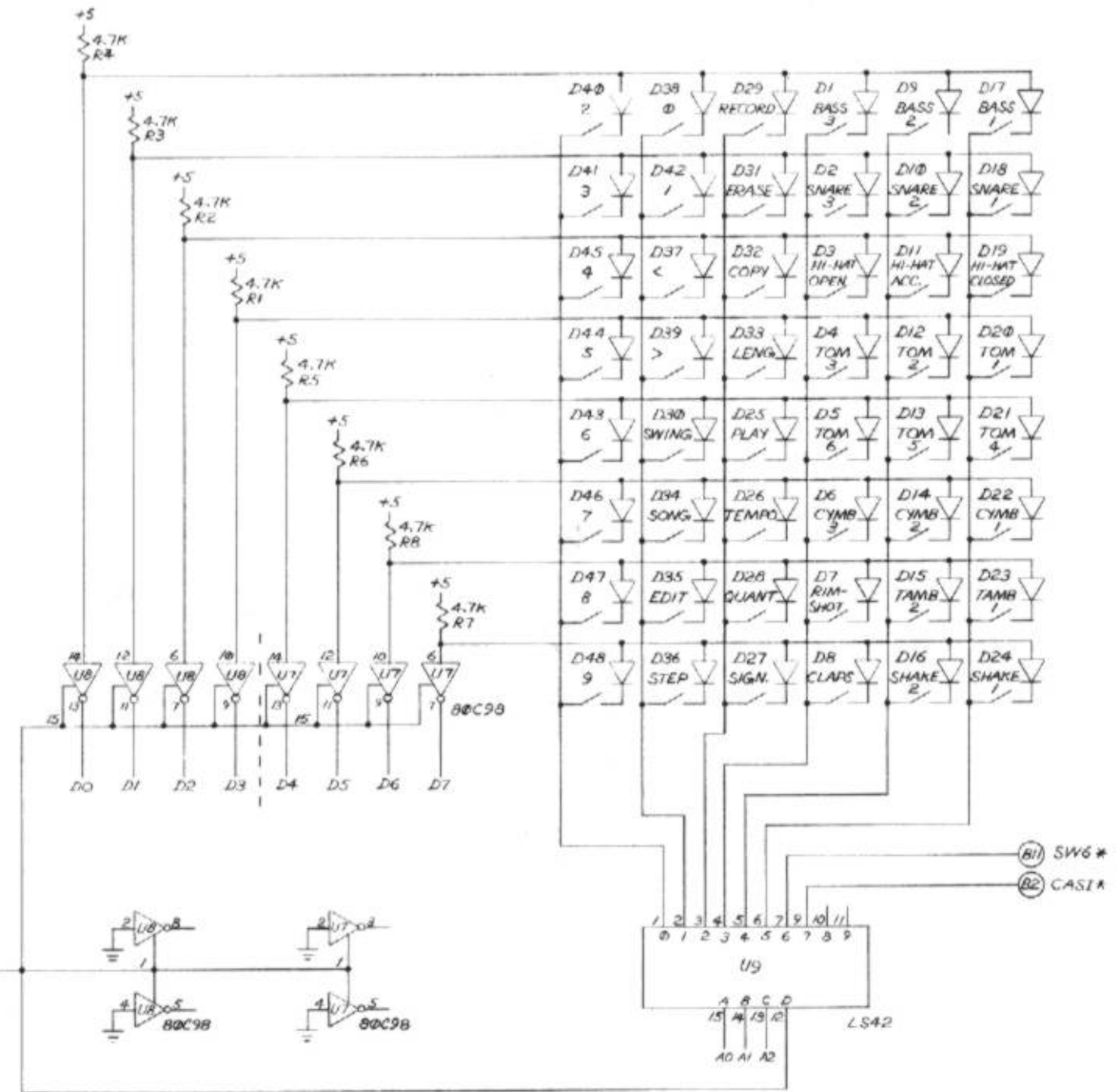
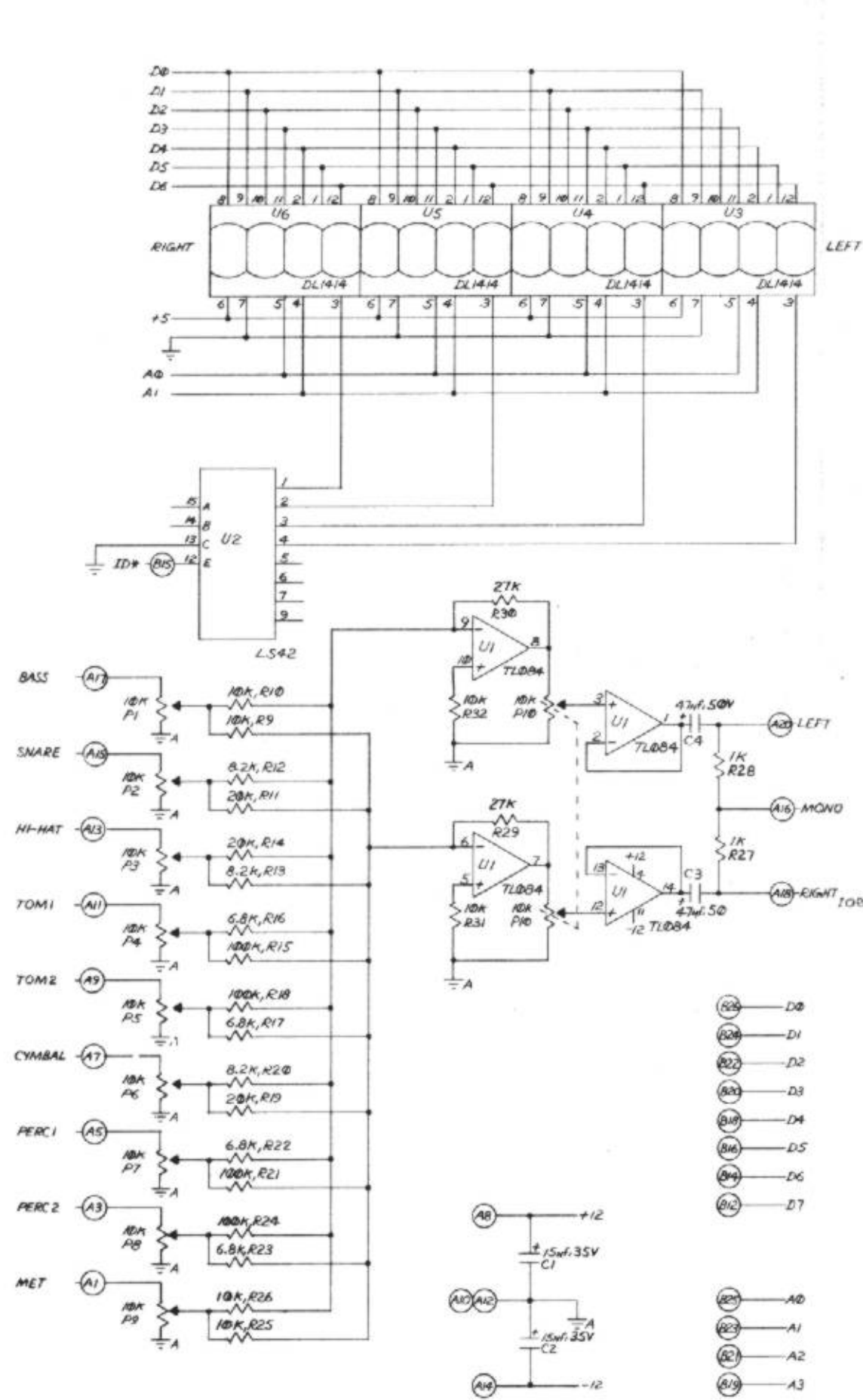
OBERHEIM ELECTRONICS INC.
 - SCHEMATIC -
 DMX PROCESSOR BOARD
 J.R.
 12-21-81
 SHEET 3 OF 3
 1587B



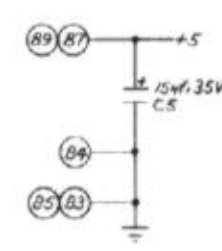
OBERHEIM ELECTRONICS INC.

- PARTS LAYOUT -
DMX PROCESSOR BOARD

J.R.



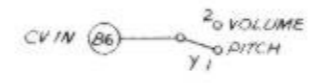
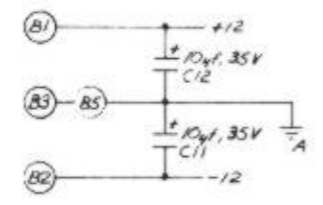
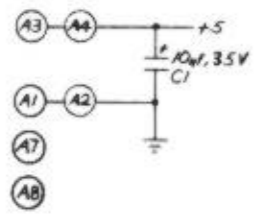
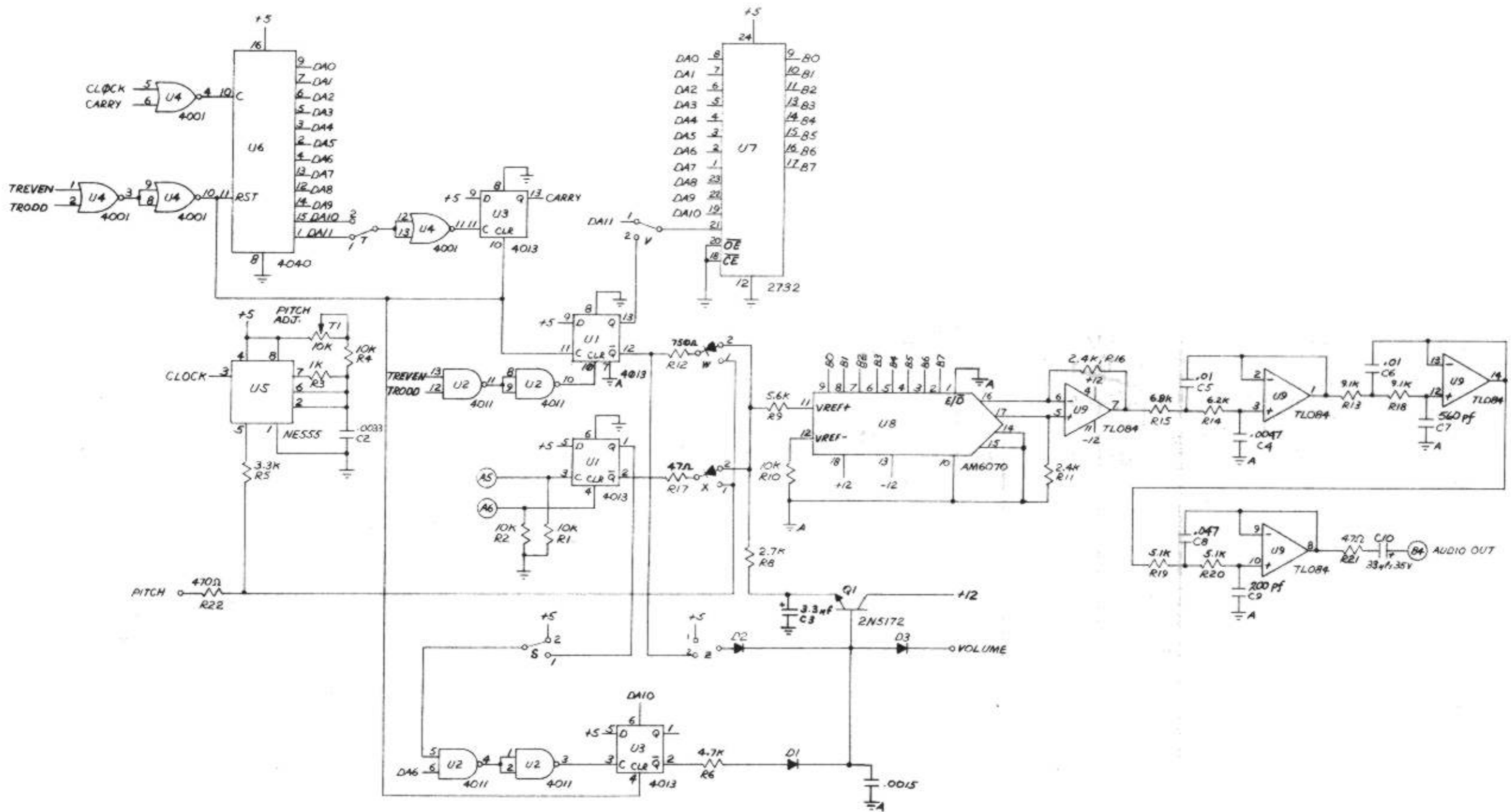
- (B0) — D0
- (B1) — D1
- (B2) — D2
- (B3) — D3
- (B4) — D4
- (B5) — D5
- (B6) — D6
- (B7) — D7
- (B8) — A0
- (B9) — A1
- (B10) — A2
- (B11) — A3



- SPARES
- (B8) (A2)
 - (B9) (A4)
 - (B7) (A6)
 - (B6) (A8)
 - (B13)

TR	REVISION	DATE
B	MISC. CHANGES ECO 304	
A	INITIAL RELEASE	12-21-81

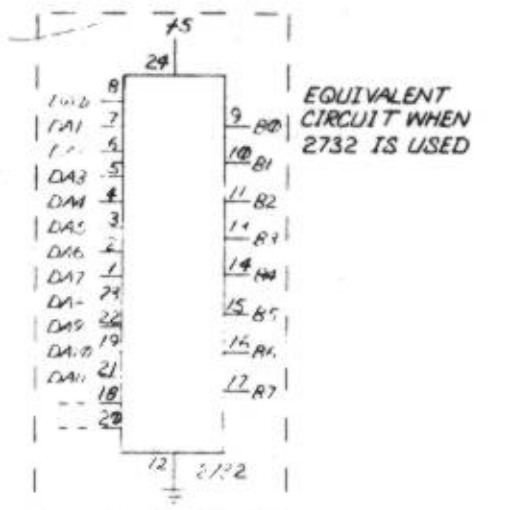
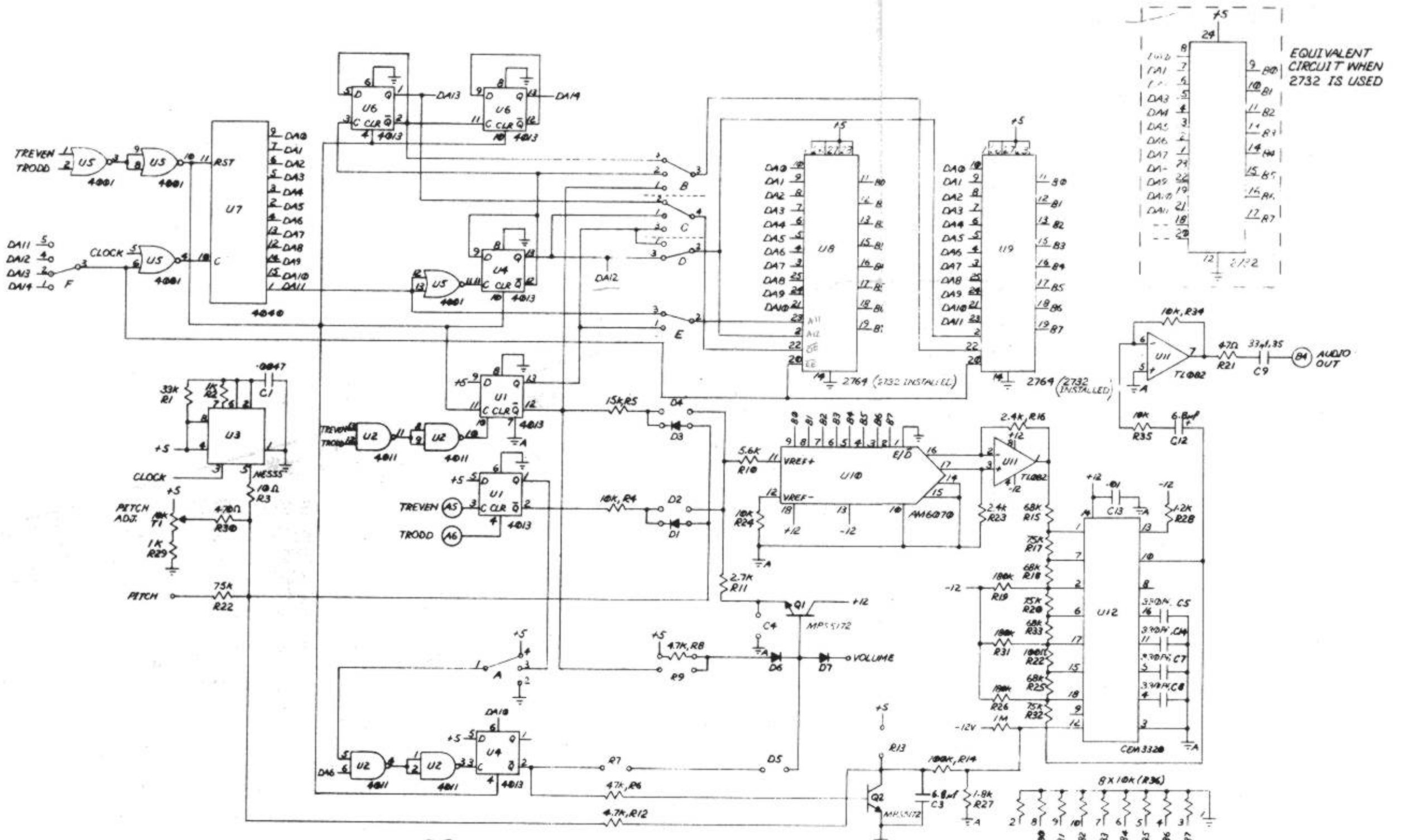
OBERHEIM ELECTRONICS INC.
 -SCHEMATIC-
 DMX SWITCH BOARD
 12-21-81
 J.R.



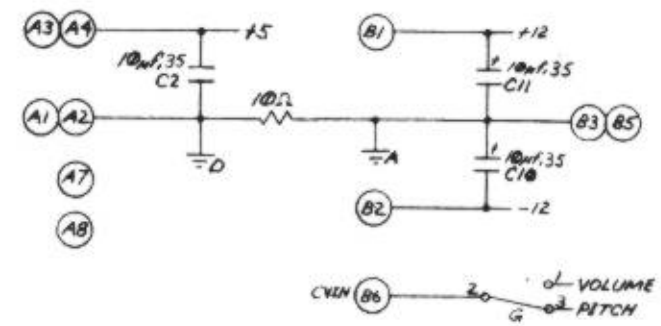
NOTES
 1) ALL RESISTORS ARE 1/4 W, 5%
 2) ALL DIODES ARE 1N4148
 3) ALL UNSPECIFIED GROUNDS ARE DIGITAL.

LTR	REVISION	DATE
B	MISC. CHANGES + ECO'S 6-1-83	
A	INITIAL RELEASE	12-21-81

OBERHEIM ELECTRONICS INC.
 - SCHEMATIC -
 DMX VOICE CARD - BASS
 J.R.
 12-1-81



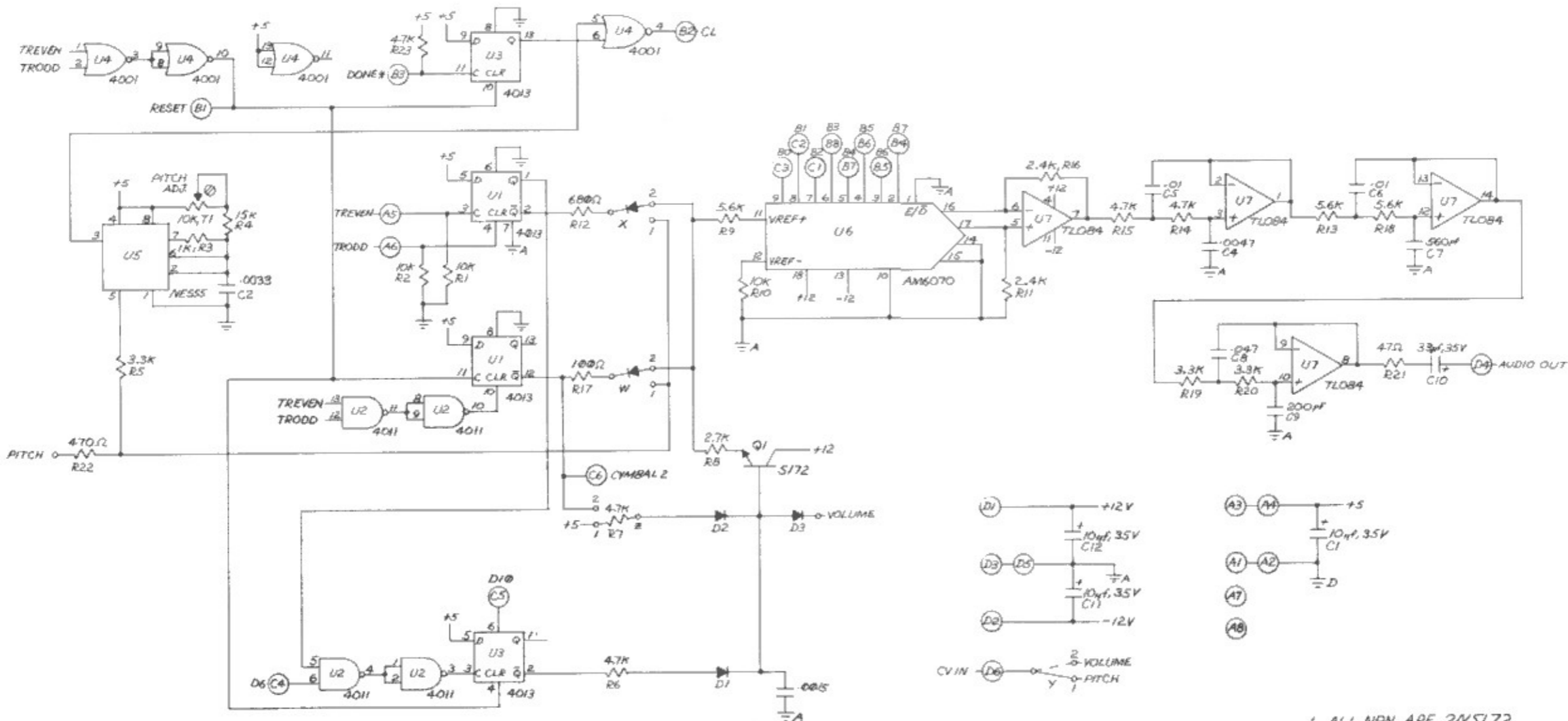
JUMPERS SHOWN ARE FOR ONE SOUND IN TWO 2732'S
SOUND = "LFTLD"



- NOTES: 1. ALL RESISTORS ARE 1/4W, 5%
2. ALL DIODES ARE IN 4148
3. ALL UNSPECIFIED GROUNDS ARE DIGITAL.

B	MISC. CHANGES + ECO 324	6-1-83
A	INITIAL RELEASE	3-29-83
LTR	REVISION	DATE

OBERHEIM ELECTRONICS INC.
-SCHEMATIC-
DMX VOICE BOARD - MK II (TOMS 1 & 2)
J.P.



1. ALL NPN ARE 2N5172
2. ALL DIODES ARE 1N4148
3. A = ANALOG GROUND
4. D = DIGITAL GROUND

B	MISC. CHANGES + ECO'S 305, 307, 322.	
A	INITIAL RELEASE	12-21-81
LJR	REVISION	DATE

OBERHEIM ELECTRONICS INC.

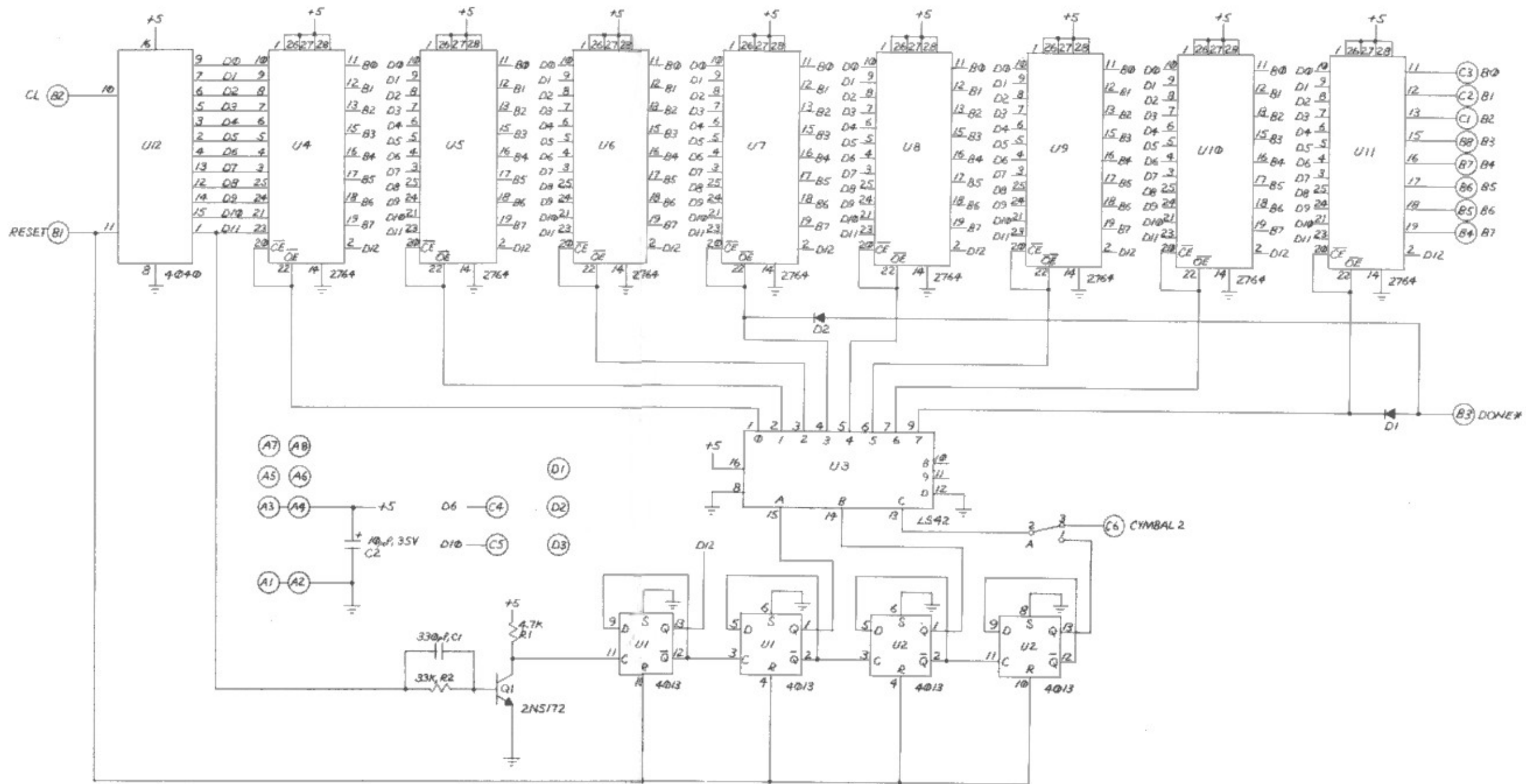
-SCHEMATIC-

DMX VOICE CARD - CYMBAL #1

J.R.

12-1-81

16/4B



B	MISC. CHANGES + EDC'S	
	305, 307.	
A	INITIAL RELEASE	
LTR	REVISION	DATE

OBERHEIM ELECTRONICS INC.
 -SCHEMATIC-
 DMX VOICE BOARD - CYMBAL #3
 J.R.

1719A