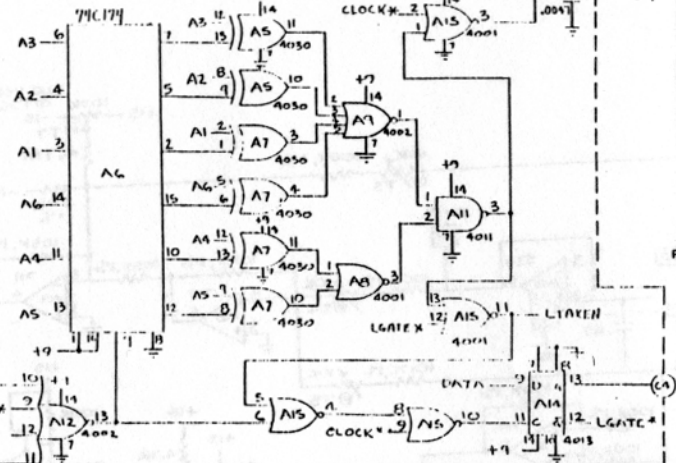
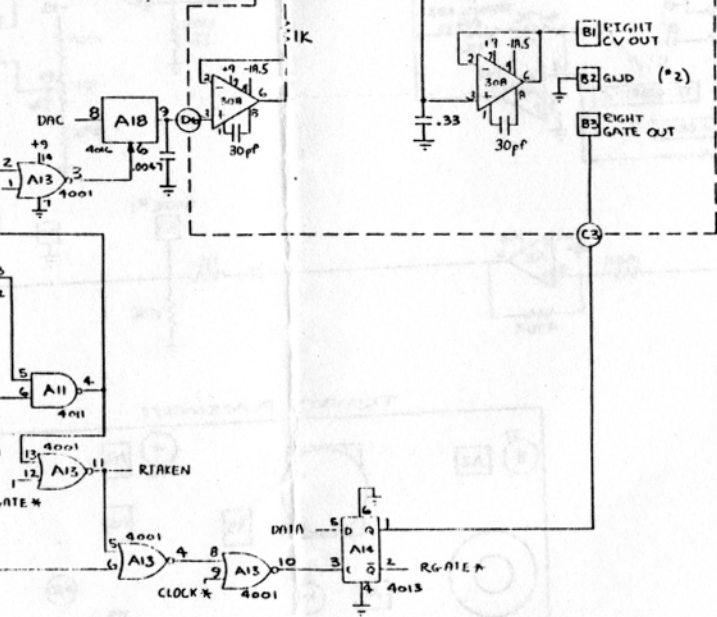
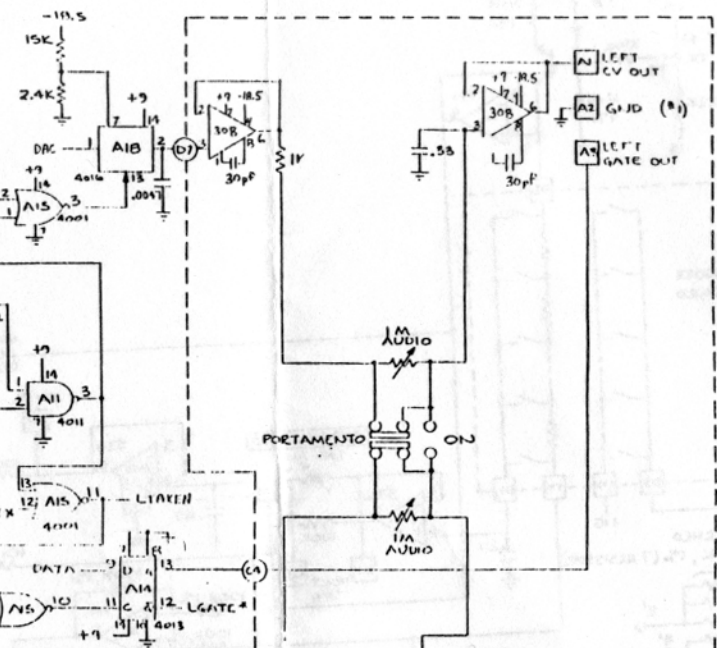
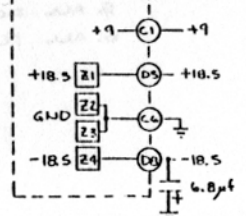
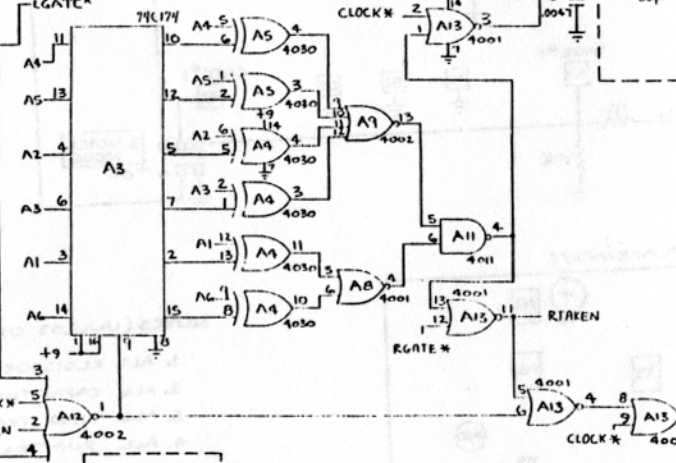


LEFT CHANNEL



RIGHT CHANNEL



OBERHEIM ELECTRONICS, INC.
SCHEMATIC -
DIGITAL 2-VOLT KCYBOARD
ELECTRONICS
4-13-76
REV 7-22-76